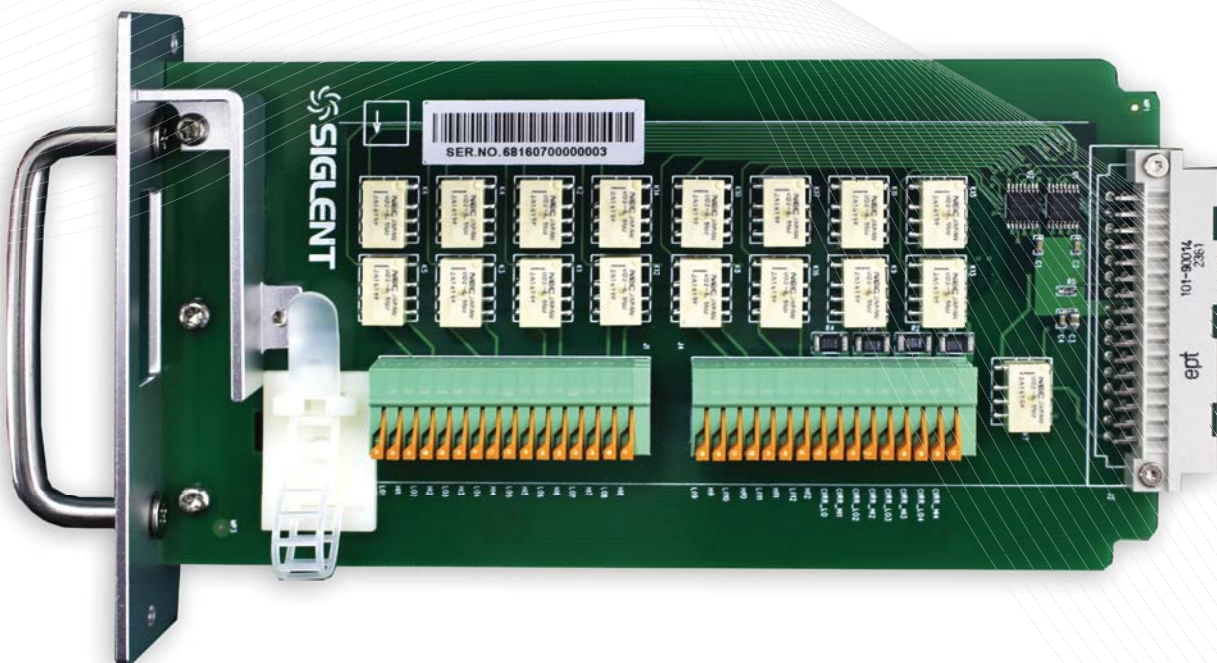


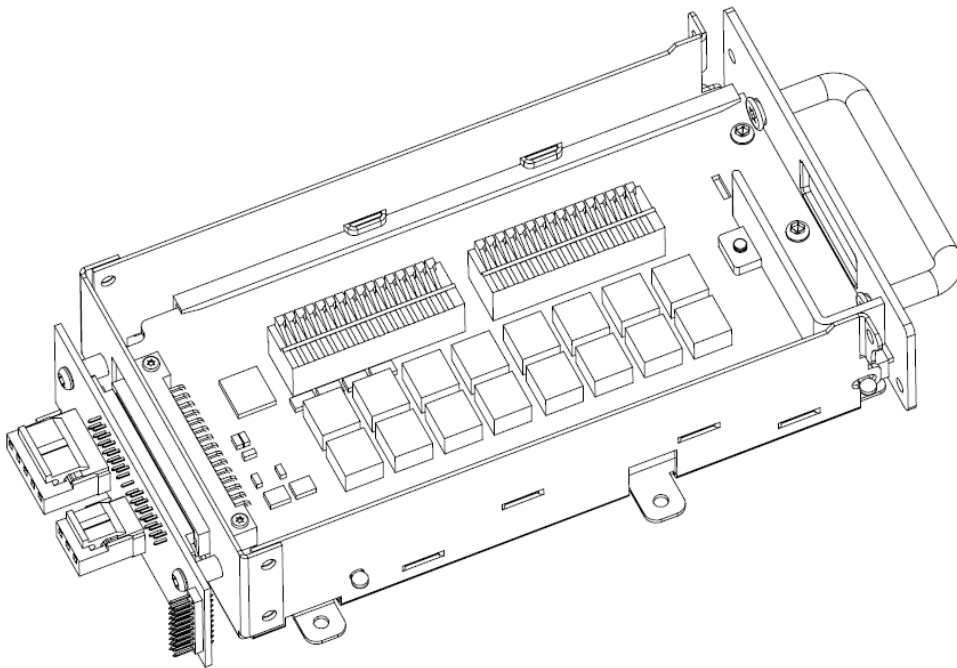
SC1016 Specifications



SIGLENT Digital Multimeter SC1016 Specifications

Product Overview

The SIGLENT SC1016 is a multiplexer that provides multi-point measurement capabilities to the SDM3000 series of digital multimeters. The scanner features 12 multi-purpose + 4 current channels and supports the following measurement functions: DCV, ACV, DCI, ACI, 2WR, 4WR, CAP, FREQ, DIODE, CONT and TEMP (RTD and Thermocouple). It provides a convenient and versatile solution for test applications that require multiple measurement points or signals and is an ideal tool for R&D burn-in and production testing.



Safety

SIGLENT thanks you for purchasing the SC1016 module. To achieve the best performance from the product, please read this guide carefully. To avoid electrical shock and personal injury, please don't use the product to measure signals that exceed the published specification.

Specifications

| | |
|---------------------------|---|
| Max AC Voltage | 125V rms or 175V peak, 100kHz, |
| | 0.3 A switched, 125VA (resistive load) |
| Maximum DC Voltage | 110V, 1A switched, 30VDC (resistive load) |
| Contact Life | > 100000 operations, at 1A 30VDC(at 0.5 Hz) |
| | > 100000 operations, at 0.3A 125VDC (at 0.5 Hz) |
| Contact Resistance | 75 mΩ (maximum at 6VDC, 1A) |
| Actuation Time | 5ms maximum on/off |
| Maximum switching voltage | 250 VAC, 220 VDC |
| Maximum switching power | 62.5VA / 30W |
| Insulation Resistance | Minimum 1G ohm (500VDC) |
| Connector Type | Clamp terminal, #24 AWG wire size |

Prevention: To avoid breaking the product, please do not pull it away from multimeter when measurement is executed.

Channel Capabilities

| Item | No. of wires | No. of channels |
|-------------------------|--------------------------------------|--|
| DCV, ACV ^[1] | 2 wires (H, L) | 12 (CH1~CH12) |
| DCI, ACI ^[2] | 2 wires (H, L) | 4 (CH13~CH16) (2A Range) |
| 2W Resistance | 2 wires (H, L) | 12 (CH1~CH12) |
| 4W Resistance | 4 wires (Input H, L + sense H, L) | 6 pairs (CH1 [input] & CH7 [sense], 2&8, ●●●, 6&12) |
| Capacitance | 2 wires (H, L) | 12 (CH1~ CH12) |
| Diode/Continuity | 2 wires (H, L) | 12 (CH1~ CH12) |
| Period/Frequency | 2 wires (H, L) | 12 (CH1~ CH12) |
| Temp(Thermocouple) | 2 wires (H, L) | 12 (CH1~ CH12) |
| Temp (RTD) | 2 wires (H, L) | 12 (CH1~ CH12) |

Remarks:

[1]Voltage range : <125VAC, 110VDC

[2] For continuous current < 2.2A, Accuracy ± (% 3 (reading) + 0.02% (range)).

SC1016



About SIGLENT

SIGLENT is an international high-tech company, concentrating on R&D, sales, production and services of electronic test & measurement instruments.

SIGLENT first began developing digital oscilloscopes independently in 2002. After more than a decade of continuous development, SIGLENT has extended its product line to include digital oscilloscopes, function/arbitrary waveform generators, digital multimeters, DC power supplies, spectrum analyzers, isolated handheld oscilloscopes and other general purpose test instrumentation. Since its first oscilloscope, the ADS7000 series, was launched in 2005, SIGLENT has become the fastest growing manufacturer of digital oscilloscopes. We firmly believe that today SIGLENT is the best value in electronic test & measurement.

Headquarter:

SIGLENT TECHNOLOGIES CO., LTD.
Add: Bldg No.4 & No.5, Antongda Industrial Zone, 3rd Liuxian Road, Bao'an District, Shenzhen, 518101, China.
Tel: + 86 755 3661 5186
Fax: + 86 755 3359 1582
Email: sales@siglent.com;
Website: <http://www.siglent.com/ens/>

USA:

SIGLENT Technologies America, Inc
6557 Cochran Rd Solon, Ohio 44139
Tel: 440-398-5800
Toll Free: 877-515-5551
Fax: 440-399-1211
Email: info@siglent.com
Website: www.siglentamerica.com

Europe:

SIGLENT TECHNOLOGIES EUROPE GmbH
ADD: Liebigstrasse 2-20, Gebaeude 14,
22113 Hamburg Germany
Tel: +49(0)-819-95946
Fax: +49(0)-819-95947
Email: info-eu@siglent.com
Website: www.siglenteu.com

CALTRON PTE LTD

email: caltron@caltron.sg
www.caltron.sg

Follow us on
Facebook: [SiglentTech](https://www.facebook.com/SiglentTech)

