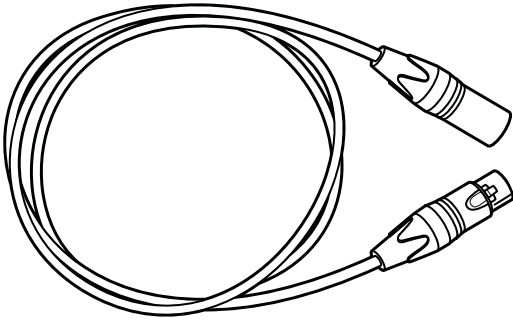


## ASD Cable



ASD Cable

The ASD Cable allows for extended connections of the NTi Audio measurement microphones. It supports the transfer of the electronic data sheet from the microphone to the XL2 Sound Level Meter.

### Microphones with Electronic Data Sheet

The measurement microphones for the XL2 Sound Level Meter include an electronic data sheet. The Automated Sensor Detection (ASD) technology reads the electronic data sheet of any connected NTi Audio device. The XL2 recognizes the microphone model, sensitivity and calibration data. This promotes faster setup and ensures accurate measurement results.

### ASD Flat Ribbon Cable

Microphone cable for passing closed windows or doors. It supports the transfer of the electronic data sheet from the microphone to the XL2 Analyzer.

### Order Information

ASD Cable	NTi Audio #: <ul style="list-style-type: none"><li>• 5 meter (16 feet): 600 000 336</li><li>• 10 meter (32 feet): 600 000 364</li><li>• 20 meter (64 feet): 600 000 365</li></ul>
ASD Flat Ribbon Cable	<ul style="list-style-type: none"><li>• 1 meter (3.3 feet): 600 000 367</li></ul>

### Microphone Connection via the ASD Cable

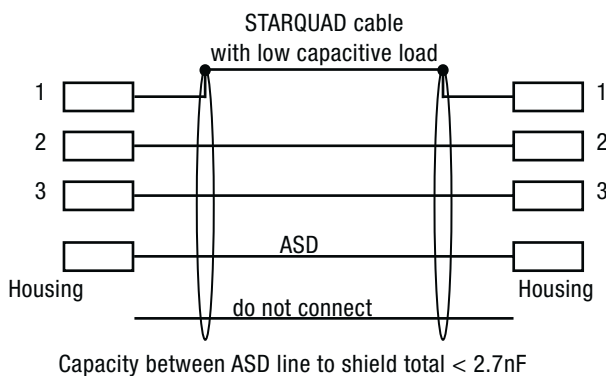
The NTi Audio measurement microphones can be connected to the XL2 Sound Level Meter using an ASD Cable for measurements at remote locations or for reducing acoustic reflections. The electronic data sheet is transmitted via the XLR connector’s housing. Do not touch this during the brief initialization period to ensure the complete data sheet is recognized by the XL2. The automated sensor detection does not disturb any measurements. You may join 5- or 10- meter ASD Cables together in series. The ASD technology supports accurate data communication up to a combined cable length of 20 meters (= 65 feet).

### Microphone Connection via a professional Audio Cable

For distances longer than 20 meter (= 65 feet) use a high-quality, low-capacitance standard professional audio cable. The microphone sensitivity has to be entered manually into the XL2 Analyzer.

Alternatively connect the microphone first directly to the Analyzer. The XL2 reads the sensitivity and remembers this value. Afterwards connect the audio cable.

### Specifications



**DISTRIBUTOR CONTACT:**  
**CALTRON PTE LTD**  
**email: caltron@caltron.sg**  
**www.caltron.sg**