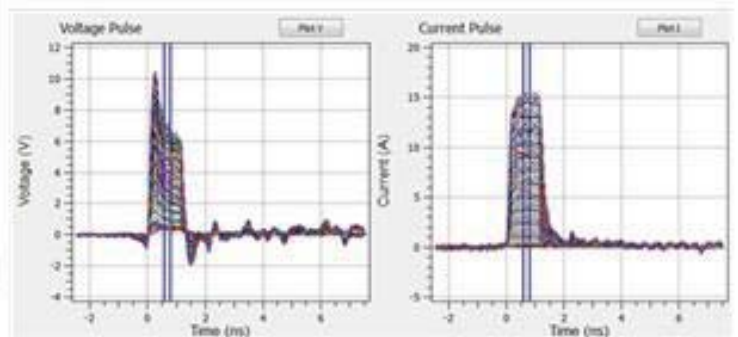
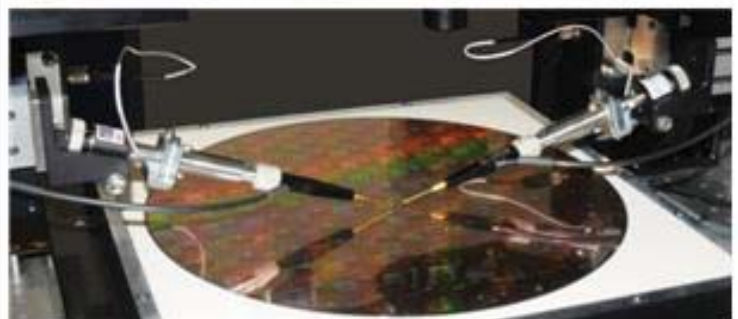
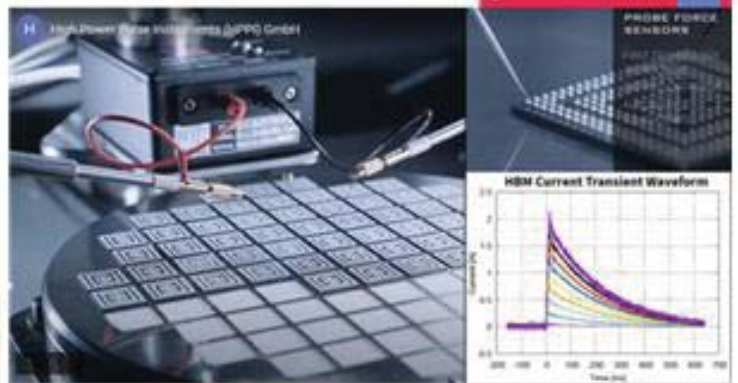


TLP/VF-TLP/HMM HIGH VOLTAGE PULSE GENERATOR

TLP-12010A

CMTI, ESD, TLP & VF-TLP SOLUTIONS



120 A TLP/HMM Test System TLP-12010A

Advanced TLP/HMM/HBM Solutions

1 Features

- High pulse output current up to ± 120 A (short circuit)
- Ultra-fast 50 Ω high voltage pulse output with typical 300 ps rise time
- Wafer, package and system level TLP and HMM testing
- 180 kW peak output power into 50 Ω load
- Built-in HMM pulse up to ± 32 kV in 50 Ω -configuration
- High speed 50 Ω trigger output for oscilloscopes (synchronous to high voltage pulse output)
- 6 digital programmable pulse rise times out of: 300 ps to 50 ns (optional)
- 1 built-in pulse width: 100 ns
- Optional external pulse width extensions from 5 ns to 500 ns using the external pulse width extender TLP-12012A6
- Built-in pulse reflection suppression
- Fast measurement time, typically less than 0.2 s per pulse including one-point DC measurement between pulses
- Efficient software for system control and waveform data management
- The software can control automatic probers for fast measurements of complete wafers
- Integrated interlock safety shut-down
- Industrial isolated and EMI/ESD protected USB control interface

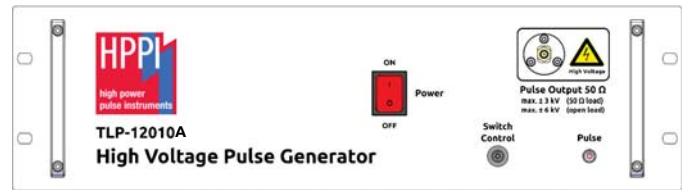
2 System Description

The high-current TLP/HMM test system TLP-12010A offers advanced features intended for the characterization of semiconductor devices, discrete components, such as TVS, varistors, capacitors, gas tubes, circuits and systems in the high power time domain. It includes high current I-V characteristics in pulsed operation mode, turn-on/off transient characteristics of the device, breakdown effects, charge recovery effects e.g. reverse recovery, Safe-Operating-Area (SOA) and ESD measurements in general.

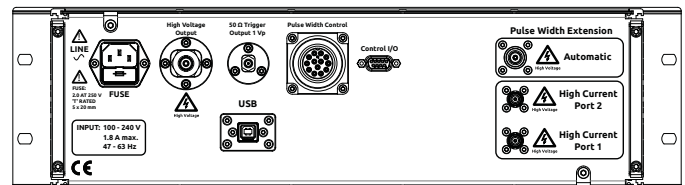
The TLP-12010A (Fig. 1) has 1 built-in 100 ns pulse width for currents up to 120 A. Since the TLP-12010A is limited to just one single pulse width, the TLP-12012A6 pulse width extender may be considered. With this optional extender, additional pulse width of 5, 10, 50, 100, 200 and 500 ns for example can be generated. The selection of the pulse width is done manually on the rear panel of the TLP-12012A6.

The TLP-12010A can be controlled by the unified standard HPPI tester GUI¹ including automation, or by an independent application programming interface (API) that allows for

¹same for all HPPI pulse generators.



(a) TLP-12010A high voltage pulse generator front side view



(b) TLP-12010A high voltage pulse generator rear side view



(c) 120 A, 50 Ω current sensor CS-0V5-A



(d) 18 GHz DUT switch S-3000D

Figure 1: TLP-12010A overview

communication between network software and network services, such as Transmission Control Protocol/Internet Protocol (TCP/IP): [High-Level Interactive Language for HPPI System Remote Control](https://www.hppei.de/files/High_Level_Interactive_Language_for_HPPI_System_Remote_Control).

The DUT switch shown in Fig. 1(d) automatically connects the DUT to the pulse generator or to the source meter for DC measurements.

The advanced current sensor CS-0V5-A, with 150 ps rise-time, can be used up to 120 A at 580 ns pulse width or 100 A at 700 ns pulse width, according to its Amp x Second rating of 70 A μ s, respectively.

The highly efficient TLP software offers best-in-class measurement speed with up to 5 pulses/s, depending on scope and SMU data transfer speed, with DC spot measurement after every pulse. The software offers seamless control and enhanced features like multiple graphic plots with transient waveforms, DC and I-V data, as well as the I-V data in tabular form. Up to five different data sets can be loaded simultaneously for a direct comparison of devices. Data plots can be copied to the Windows® clipboard and conveniently pasted into other applications. The software offers accurate TLP full system calibration using zener-diodes and resistors as reference.

For compliance with laboratory safety regulations an interlock shut-down function is implemented according: https://www.hppei.de/files/Interlock_Safety_Shutdown.pdf

120 A TLP/HMM Test System TLP-12010A

Advanced TLP/HMM/HBM Solutions

Fig. 2 shows a typical pulse force / pulse sense measurement configuration.

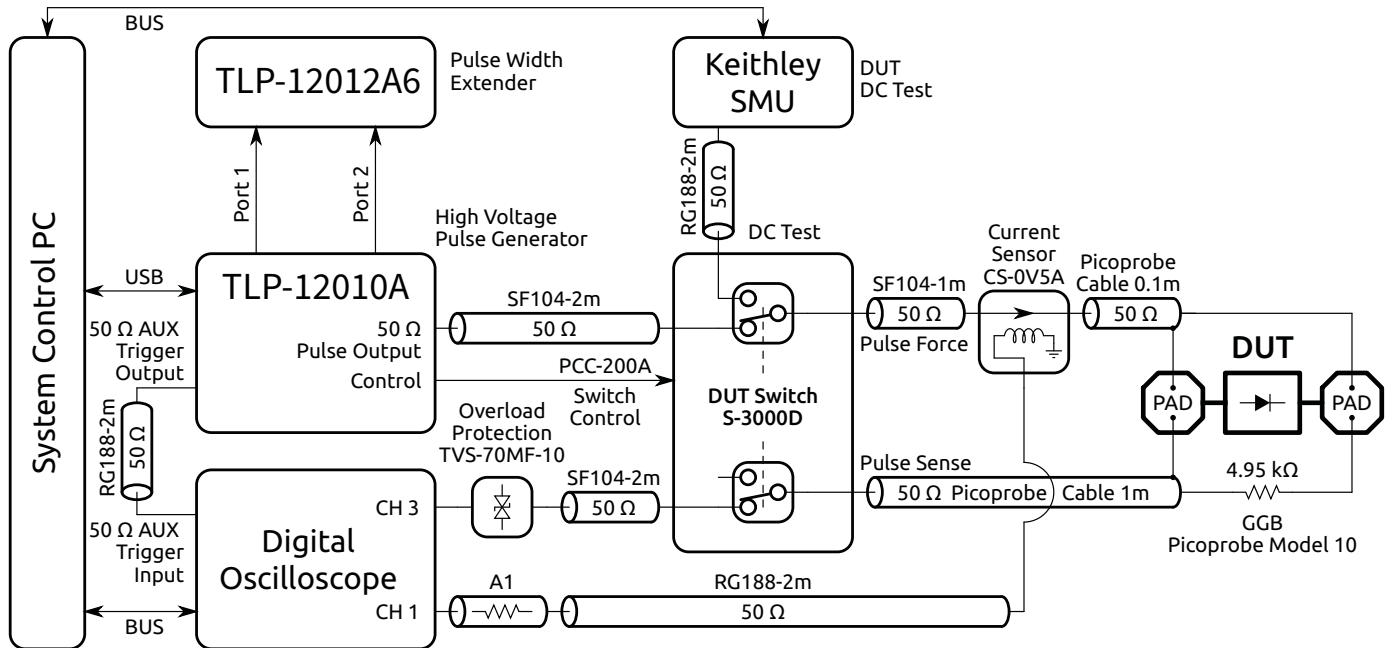


Figure 2: Typical TLP-12010A standard TLP measurement setup

3 Specifications

Parameter	Symbol	Limit Values			Unit	Remarks
		Min.	Typ.	Max.		
Output voltage (open load)	$V_{out,\infty}$	-6.0		+6.0	kV	into open load ¹⁾
Output voltage (50 Ω)	$V_{out,50\Omega}$	-3.0		+3.0	kV	into 50 Ω ²⁾
Peak pulse output power (50 Ω)	$P_{out,50\Omega}$		180		kW	into 50 Ω ³⁾
Minimum output voltage step size	V_{Δ}		0.1		V	into open load, USB progr.
Maximum TLP output current	I_{tlp}	-120		+120	A	into short circuit
Maximum TLP output current	I_{tlp}	-60		+60	A	into 50 Ω
Maximum HMM first peak output current	I_{peak}	-120		+120	A	short circuit DUT, 50 Ω HMM
Maximum HMM broad peak output current	I_{30ns}	-64		+64	A	short circuit DUT, 50 Ω HMM, equivalent to ± 32 kV IEC 61000-4-2 (330 Ω , 150 pF)
Pulse repetition frequency	f_p		5	10	Hz	state dependent
Pulse width	t_p		100		ns	one internal charge line cable
Pulse width using pulse width extender TLP-12012A6 (optional)	t_p	5		500	ns	5/10/50/100/200/500 ns manual selectable with TLP-12012A6
Output pulse rise time	t_r	0.3		50	ns	USB programmable 6 steps, out of: 0.3 / 0.6 / 1 / 2 / 5 / 10 / 20 / 50 ns
Digital control interface	-	USB			-	Industrial isolated and EMI/ESD protected USB 2.0 interface
AC line voltage range	V_{AC}	100		240	V	47-63 Hz, max. 1.8 A
Dimensions TLP-12010A (W x H x D)	D_{12010A}	428 (482.6) x 132.5 x 485			mm ³	428 mm body, 482.6 mm rack flange
Weight TLP-12010A	W_{12010A}		15		kg	excluding accessories

Table continued on next page ...

¹⁾The maximum open load output voltage could reach 6.0 kV according the internal charge-line voltage setting. But in reality the output voltage it is limited by the breakdown voltage of the SMA connectors and other interconnection devices towards the DUT. Therefore, at open load condition the pulse voltage setting should not exceed the interconnection limits. This means that the TLP-12010A should not operated with maximum voltage at open load condition.

²⁾Limited by the breakdown voltage of the DUT connectors.

³⁾Limited by the breakdown voltage and the thermal capability (pulse width) of the DUT connectors.

120 A TLP/HMM Test System TLP-12010A

Advanced TLP/HMM/HBM Solutions

... Table continued from previous page

Parameter	Symbol	Limit Values			Unit	Remarks
		Min.	Typ.	Max.		
Software support of digital oscilloscopes		All models from Keysight, LeCroy, Tektronix, Iwatsu. New models will be added on request.				
Software support of SMU source meters		Keithley 24xx/26xx series SMU, Keithley 230 voltage source, Agilent B2900A, Iwatsu. New models will be added on request. 5 SMUs can be controlled by the system: 1 leakage measurement SMU and 4 independent bias SMU.				
Supported automatic probe stations		All Suss, Cascade, Signatone, MPI probe stations				
Supported PC operating system		Microsoft Windows 7-11, 64-bit (required)				
Integrated interlock safety shut-down (optional)		https://www.hppei.de/files/Interlock_Safety_Shutdown.pdf				

4 Ordering Information

Pos.	Description	Part No.
01	High voltage pulse generator TLP-12010A including all required accessories such as PCB adapter, current sensor, pick-off tee, DUT switch, cables, software and manuals	TLP-12010A
02	Optional 120 A manual pulse width extender TLP-12012A6 with 6 manual selectable built-in pulse width: 5/10/50/100/200/500 ns	TLP-12012A6
03	Precision Picoprobe® Micropositioner Probe Holder Kit, customizable for various micromanipulators	PHD-3001A

General

The product data contained in this data-sheet is exclusively intended for technically trained staff. You and your technical departments will have to evaluate the suitability of the product for the intended application and the completeness of the product data with respect to such application. Our products are solely intended to be commercially used internally and should not be sold to consumers. This data-sheet is describing the specifications of our products for which a warranty is being granted by HPPI GmbH. Any such warranty is granted exclusively pursuant the terms and conditions of the respective supply agreement. There will be no guarantee of any kind for the product and its specifications. For further information on technology, specific applications of our product, delivery terms, conditions and prices please contact HPPI:

High Power Pulse Instruments GmbH
 Stadlerstrasse 6A
 D-85540 Haar, Germany
 Phone : +49 (0)89 8780698 - 440
 Fax : +49 (0)89 8780698 - 444
 E-Mail : info@hppei.de

Due to technical requirements our products and/or their application may be harmful. For information please read carefully the manual or contact HPPI. Safety notes in the manual will inform you about possible risks that result from any foreseeable application of our products. Changes of this data-sheet are reserved.