

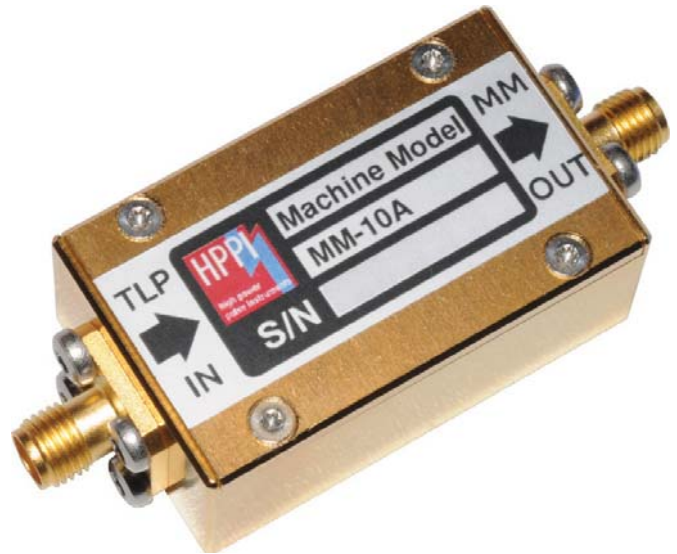
PULSE EMULATOR

MM-10A



1 Features

- Pulse unit to generate JESD22-A115 machine-model (MM) waveforms with TLP
- Extremely stable and reproducible machine-model (MM) waveforms
- Compatible with HPPI TLP-3010C/4010C/8010A/8010C systems which have installed pulse width of 25 ns and rise time of 100 ps to 300 ps
- Up to ± 10 A machine-model peak current with TLP-3010C, which is equivalent to ± 667 V (MM)
- Up to ± 15 A machine-model peak current with TLP-4010C, which is equivalent to ± 1000 V (MM)
- Up to ± 30 A machine-model peak current with TLP-8010A and TLP-8010C, which is equivalent to ± 2000 V (MM)
- Same measurement procedure as TLP including DC test of the DUT
- Compatible with HPPI TLP software and waveform data storage and management
- 50Ω SMA input and output connectors
- Compact size: 61 mm x 25 mm x 17 mm



2 Description

The MM-10A pulse unit is used for device testing according to JESD22-A115 machine-model (MM) up to 2000 V (MM) by using a TLP system.

To operate the MM-10A correctly and in order to get the right machine-model waveforms, the TLP system must be configured for **25 ns pulse width** and **100 ps to 300 ps rise time**.

2.1 Electrical Characteristics

TLP Input Pulse Width ¹⁾	:	25	ns
TLP Input Rise Time ¹⁾	:	100 - 300	ps
MM to TLP Scaling Factor ²⁾	:	1.75	V/V
Max. Output MM Voltage ^{3) 4)}	:	± 2000	V
Max. Output MM Peak Current ⁴⁾	:	± 30	A

¹⁾ required to generate pulse waveforms according JESD22-A115 machine-model (MM)

²⁾ example: for 400 V MM set 700 V TLP pulse voltage

³⁾ equivalent to JESD22-A115

⁴⁾ with TLP-8010A/8010C system

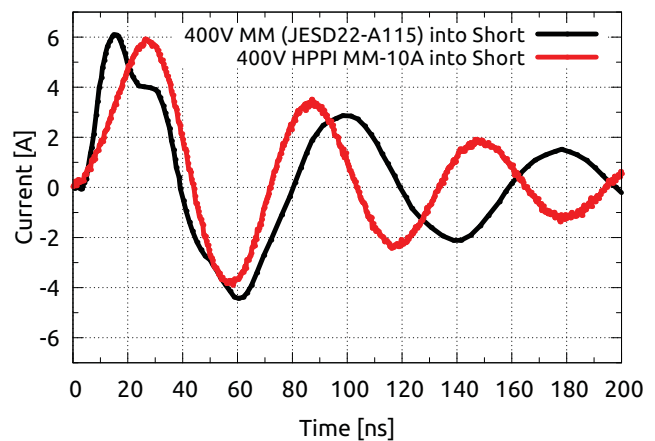


Figure 1: Comparison of 400 V MM according JESD22-A115 and HPPI MM-10A into short circuit

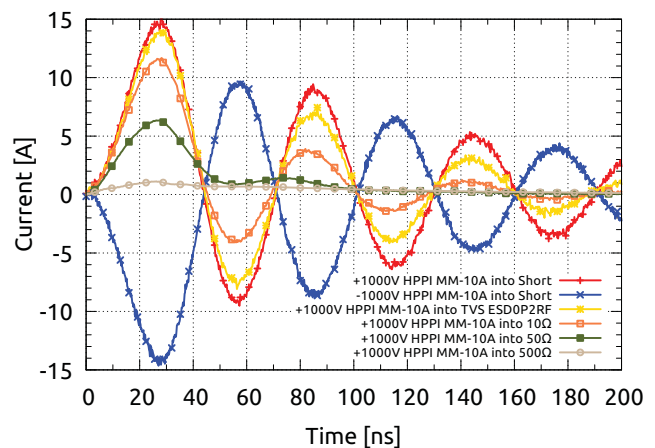


Figure 2: MM-10A measurement results at different load conditions using a HPPI TLP-4010C test system

JESD22-A115 Machine-Model (MM) Pulse Emulator MM-10A

Advanced TLP/HMM/HBM Solutions

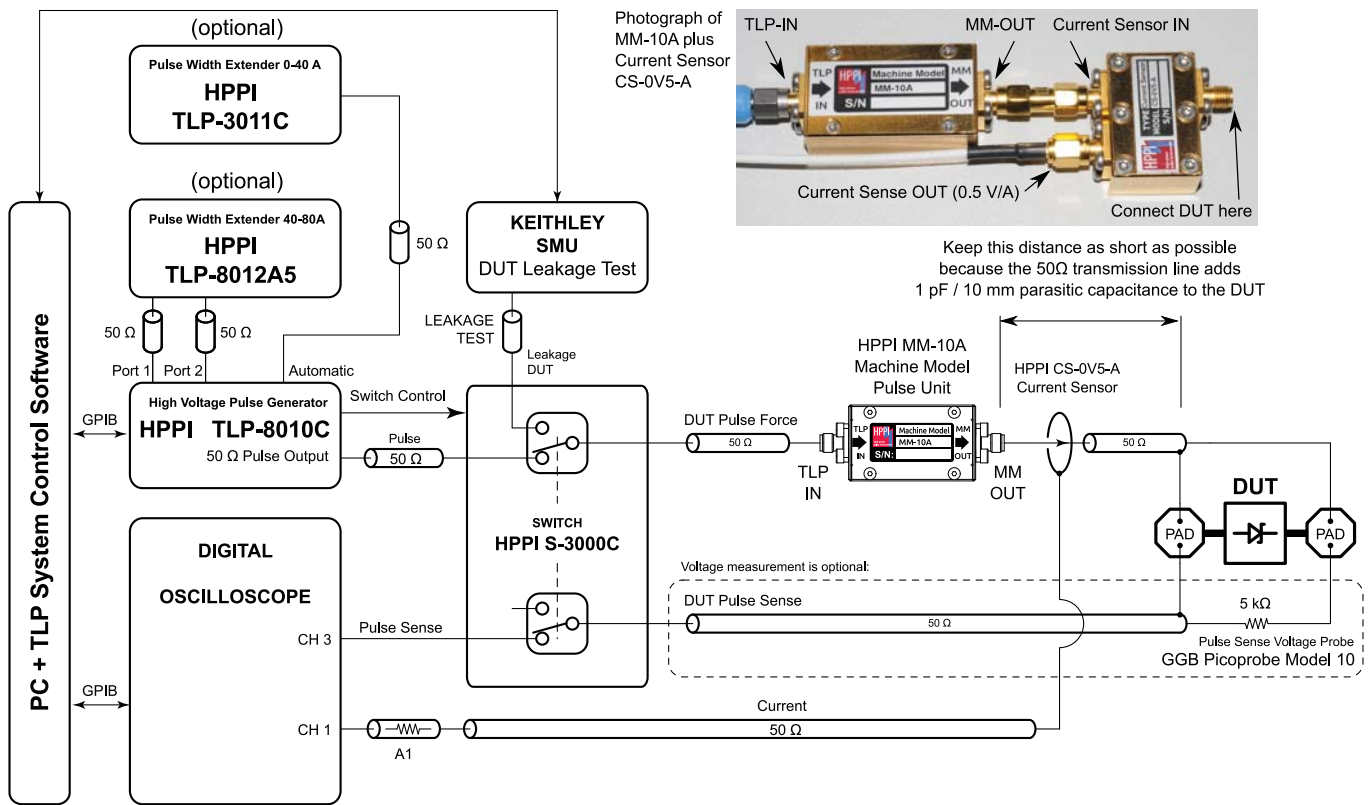


Figure 3: Machine model MM-10A measurement setup using e.g. TLP-8010C system

3 Measurement Setup

Fig. 3 shows the typical machine model measurement setup using the MM-10A. Voltage measurement (pulse sense) is optional and can be omitted. Before to start measurement of the DUT, it is recommended to check the setup with reference devices (e.g. short circuit) and to compare the measured waveforms with Fig. 2. This ensures that the setup works properly and calibrated.

3.1 DC Test

DC test of the DUT can be done using the SMU shown in Fig. 3. But it must be considered that the MM-10A has an equivalent circuit as shown in Fig. 4. The settling and hold times of the SMU may be affected by this parasitic RCL network.

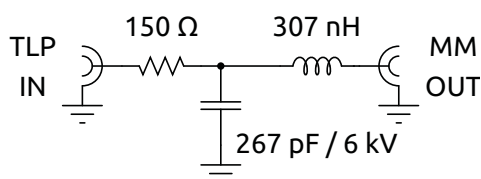


Figure 4: Equivalent circuit of the MM-10A

4 Ordering Information

Pos.	Description	Part No.
01	MM Pulse Unit	MM-10A

Acknowledgment

The concept of this TLP-to-MM pulse converter has been proposed to HPPI by Gijs de Raad (NXP) at the EOS/ESD Symposium 2016, Anaheim, CA, USA.

General

The product data contained in this data-sheet is exclusively intended for technically trained staff. You and your technical departments will have to evaluate the suitability of the product for the intended application and the completeness of the product data with respect to such application. Our products are solely intended to be commercially used internally and should not be sold to consumers. This data-sheet is describing the specifications of our products for which a warranty is being granted by HPPI GmbH. Any such warranty is granted exclusively pursuant the terms and conditions of the respective supply agreement. There will be no guarantee of any kind for the product and its specifications. For further information on technology, specific applications of our product, delivery terms, conditions and prices please contact HPPI:

High Power Pulse Instruments GmbH
 Stadlerstrasse 6A
 D-85540 Haar, Germany
 Phone : +49 (0)89 8780698 - 440
 Fax : +49 (0)89 8780698 - 444
 E-Mail : info@hppi.de

Due to technical requirements our products and/or their application may be harmful. For information please read carefully the manual or contact HPPI. Safety notes in the manual will inform you about possible risks that result from any foreseeable application of our products. Changes of this data-sheet are reserved.