

BS-5062 Polarizing Microscope



BS-5062B



BS-5062BR



BS-5062BTR



BS-5062T



BS-5062TR



BS-5062TTR



BS-5062TTR(LED)

Introduction

BS-5062 series polarizing microscopes feature a highly robust construction and first-class optics to provide a long life and excellent quality images. Accessories like Gypsum slide, Mica slide, Quartz wedge and Mechanical stage are available. The microscopes are specifically designed for geology, minerals and material areas. They also can be used in chemical fiber, semiconductor and pharmaceutical industries.

Feature

1. Perfect optical system

Excellent infinite optical system with high resolution and perfect definition. High resolution and perfect definition from infinity correct optical system. 100X water objective is available for convenient viewing.

2. Viewing head



Professional binocular head can keep the cross in the right-hand eyepiece always same when the eyepiece tubes turned.

3. Analyzer unit



Analyzer, 360° rotatable analyzer with division, can be locked and moved out of the light path. Bertrand lens, built-in, focus adjustable.

4. Nosepiece, stage & polarizing unit



Centering nosepiece, stain-free infinity plan objective.

Rotatable 360° stage, division 1°, vernier division 6', adjustable center which can be locked.

Polarizing unit, 360° rotatable, scaled, can be locked.

5. Mechanical stage, compensator and condenser



POL-Stage1, attached polarizing mechanical stage. Focusing needs to be adjusted first before use, which is inconvenient compared to POL-Stage 2.



POL-Stage2, attached polarizing mechanical stage, professional design for laboratory's user to avoid objective hitting.

Compensator: quartz wedge, first class red slip, $\lambda/4$ slip.

Swing-out condenser, swing the lens in to get excellent image when using high power objective to make observation.

Application

BS-5062 series polarizing microscopes are ideal instrument in geology, petroleum, coal, mineral, chemicals, semiconductor and pharmaceutical inspection fields. They are widely used in academic demonstration and scientific research areas.

Specification

BS-5062B, BS-5062BR, BS-5062BTR

Item	Specification	BS-5062B (LED)	BS-5062BR (LED)	BS-5062BTR (LED)
Optical System	Infinite Optical System	•	•	•
Viewing Head	Inclined 30° binocular tube, 360° rotatable, interpupillary distance: 48-76mm	•	•	•
	Inclined 30° trinocular tube, 360° rotatable, interpupillary distance: 48-76mm, splitting ratio: eyepiece: trinocular=100:0 or 20:80	○	○	○
Eyepiece	Wide field eyepiece WF10X/22mm, adjustable, tube diameter: 30mm	•		
	Wide field eyepiece WF10X/22mm, adjustable, with reticule 0.1mm	•		
	Wide field eyepiece WF10X/20mm, adjustable, tube diameter: 30mm		•	•
	Wide field eyepiece WF10X/20mm, adjustable, with reticule		•	•

	0.1mm				
Objective	Stain-free Infinity Plan Objectives (Transmitted)	4X/ NA 0.10, WD=12.1mm	●		●
		10X/ NA 0.25, WD=4.64mm	●		●
		20X/ NA 0.40 (S), WD=2.41mm	●		●
		40X/ NA 0.66 (S), WD=0.65mm	●		●
		60X/ NA 0.80 (S), WD=0.33mm	○		○
		(Oil) 100X/ NA 1.25 (S), WD=0.12mm	○		○
	Stain-free Infinity Long Working Distance Plan Objectives (Reflected)	5X/ NA 0.15, WD=21.0mm		●	○
		10X/ NA 0.30, WD=20.0mm		●	○
		20X/ NA 0.40, WD=15.0mm		●	○
		50X/ NA 0.55, WD=10.0mm		●	●
(Dry) 100X/ NA 0.85, WD=3.0mm			○	○	
Nosepiece	Quintuple nosepiece, center adjustable	●	●	●	
Analyzer Unit	Rotatable 360°, module type, can be locked	●	●	●	
Bertrand Lens	Bertrand lens, built-in, focus adjustable.	●	●	●	
Optical Compensator	λ slip, first class red	●	●	●	
	1/4 λ slip	●	●	●	
	(I -IV Class) Quartz wedge	●	●	●	
	(I -IV Class) Quartz wedge, lengthened	○	○	○	
Stage	Coaxial coarse and fine focusing knobs, travel range: 25mm, fine stroke per rotation: 0.2mm, fine division: 2 μ m. Revolving round stage, 360° rotatable, can be locked. Division 1°, vernier division 6'. Diameter Φ 174mm.	●		●	
	Coaxial coarse and fine focusing knobs, travel range: 25mm, fine stroke per rotation: 0.2mm, fine division: 2 μ m. Revolving round stage, 360° rotatable, can be locked. Division 1°, vernier division 6'. Diameter Φ 148mm.		●		
	POL-Stage1, Polarizing attached mechanical stage	○	○	○	
	POL-Stage2, Polarizing attached mechanical stage, thinner, does not affect the rotation of the objective lens	○	○	○	
Focusing	Coaxial coarse and fine focusing knobs, travel range: 25mm, fine stroke per rotation: 0.2mm, fine division: 2 μ m.	●	●	●	
Swing-out Condenser	N.A.0.9/0.13 swing-out condenser	●		●	
Polarizing Unit	with scale, 360° rotatable, can be locked	●		●	
Illumination	Reflected illuminator	○	●	●	
	Transmitted illumination: 5W LED lamp, input voltage: 100V-240V	●	○	●	
	Reflected illumination: 5W LED lamp, input voltage: 100V-240V		●	●	
	Transmitted illumination: 12V/30W Halogen lamp, input voltage: 100V-240V	○	○	○	

	Reflected illumination: 12V/50W Halogen lamp, input voltage: 100V-240V		○	○
Filter	Blue filter for transmitted (Φ45)	○		○
	Amber filter for transmitted (Φ45)	○		○
	Green filter for transmitted (Φ45)	○		○
	Neutral filter for transmitted (Φ45)	○		○
	Blue filter for reflected (Φ21)		○	○
	Amber filter for reflected (Φ21)		○	○
	Green filter for reflected (Φ21)		○	○
C-mount	0.5X C-mount adapter, adjustable focus	○	○	○
	0.75X C-mount adapter, adjustable focus	○	○	○
	1X C-mount adapter, adjustable focus	○	○	○
Packing	Packing size 520mm*470mm*285mm, gross weight 12.5kgs, net weight 10kgs	●		
	Packing size 520mm*470mm*430mm, gross weight 15kgs, net weight 11.5kgs		●	
	Packing size 520mm*470mm*430mm, Gross Weight 16kgs, Net Weight 12.5kgs			●

Note: ● Standard Outfit, ○ Optional

BS-5062T, BS-5062TR, BS-5062TTR

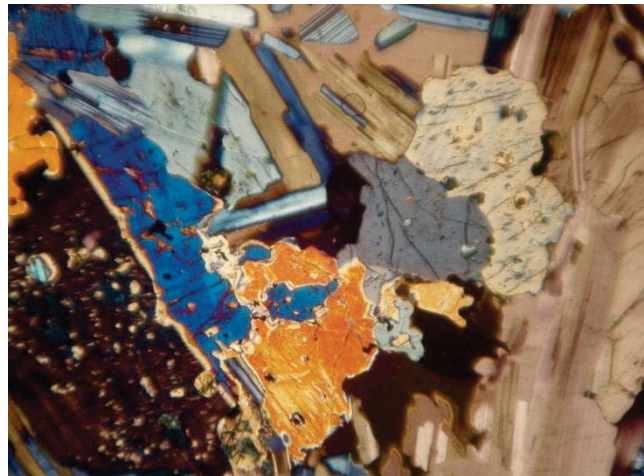
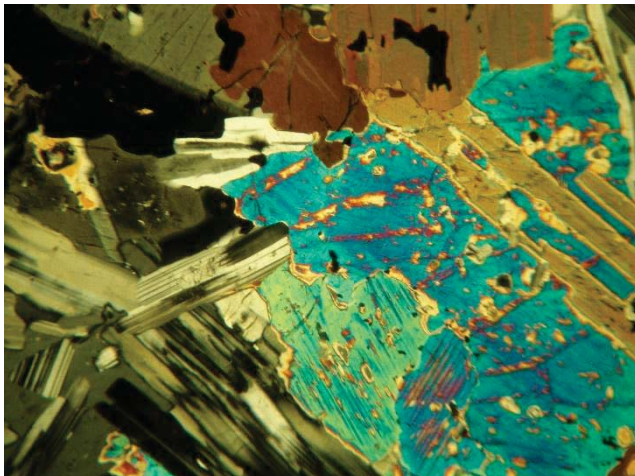
Item	Specification	BS-5062T (LED)	BS-5062TR (LED)	BS-5062TTR (LED)
Optical System	Infinite Optical System	●	●	●
Viewing Head	Inclined 30° binocular tube, 360° rotatable, interpupillary distance: 48-76mm	○	○	○
	Inclined 30° trinocular tube, 360° rotatable, interpupillary distance: 48-76mm, splitting ratio: eyepiece: trinocular=100:0 or 20:80	●	●	●
Eyepiece	Wide field eyepiece WF10X/22mm, adjustable, tube diameter: 30mm	●		
	Wide field eyepiece WF10X/22mm, adjustable, with reticule 0.1mm	●		
	Wide field eyepiece WF10X/20mm, adjustable, tube diameter: 30mm		●	●
	Wide field eyepiece WF10X/20mm, adjustable, with reticule 0.1mm		●	●
Objective	Stain-free Infinity Plan Objectives (Transmitted)	4X/ NA 0.10, WD=12.1mm	●	●
		10X/ NA 0.25, WD=4.64mm	●	●
		20X/ NA 0.40 (S), WD=2.41mm	●	●
		40X/ NA 0.66 (S), WD=0.65mm	●	●
		60X/ NA 0.80 (S), WD=0.33mm	○	○

		(Oil) 100X/ NA 1.25 (S), WD=0.12mm	○		○
	Stain-free Infinity Long Working Distance Plan Objectives (Reflected)	5X/ NA 0.15, WD=21.0mm		●	○
		10X/ NA 0.30, WD=20.0mm		●	○
		20X/ NA 0.40, WD=15.0mm		●	○
		50X/ NA 0.55, WD=10.0mm		●	●
		(Dry) 100X/ NA 0.85, WD=3.0mm		○	○
Nosepiece	Quintuple nosepiece, center adjustable		●	●	●
Analyzer Unit	Rotatable 360°, module type, can be locked		●	●	●
Bertrand Lens	Bertrand lens, built-in, focus adjustable.		●	●	●
Optical Compensator	λ slip, first class red		●	●	●
	1/4λ slip		●	●	●
	(I -IV Class) Quartz wedge		●	●	●
	(I -IV Class) Quartz wedge, lengthened		○	○	○
Stage	Coaxial coarse and fine focusing knobs, travel range: 25mm, fine stroke per rotation: 0.2mm, fine division: 2um. Revolving round stage, rotatable 360°, 360° rotatable, can be locked. Division 1°, vernier division 6'. Diameter Φ174mm.		●		●
	Coaxial coarse and fine focusing knobs, travel range: 25mm, fine stroke per rotation: 0.2mm, fine division: 2um. Revolving round stage, rotatable 360°, 360° rotatable, can be locked. Division 1°, vernier division 6'. Diameter Φ148mm.			●	
	POL-Stage1, Polarizing attached mechanical stage		○	○	○
	POL-Stage2, Polarizing attached mechanical stage, thinner, does not affect the rotation of the objective lens		○	○	○
Focusing	Coaxial coarse and fine focusing knobs, travel range: 25mm, fine stroke per rotation: 0.2mm, fine division: 2um.		●	●	●
Swing-out Condenser	N.A.0.9/0.13 swing-out condenser		●		●
Polarizing Unit	with scale, 360° rotatable, can be locked		●		●
Illumination	Reflected illuminator		○	●	●
	Transmitted illumination: 5W LED lamp, input voltage: 100V- 240V		●	○	●
	Reflected illumination: 5W LED lamp, input voltage: 100V-240V			●	●
	Transmitted illumination: 12V/30W Halogen lamp, input voltage: 100V-240V		○	○	○
	Reflected illumination: 12V/50W Halogen lamp, input voltage: 100V-240V			○	○
Filter	Blue filter for transmitted (Φ45)		○		○
	Amber filter for transmitted (Φ45)		○		○
	Green filter for transmitted (Φ45)		○		○
	Neutral filter for transmitted (Φ45)		○		○
	Blue filter for reflected (Φ21)			○	○

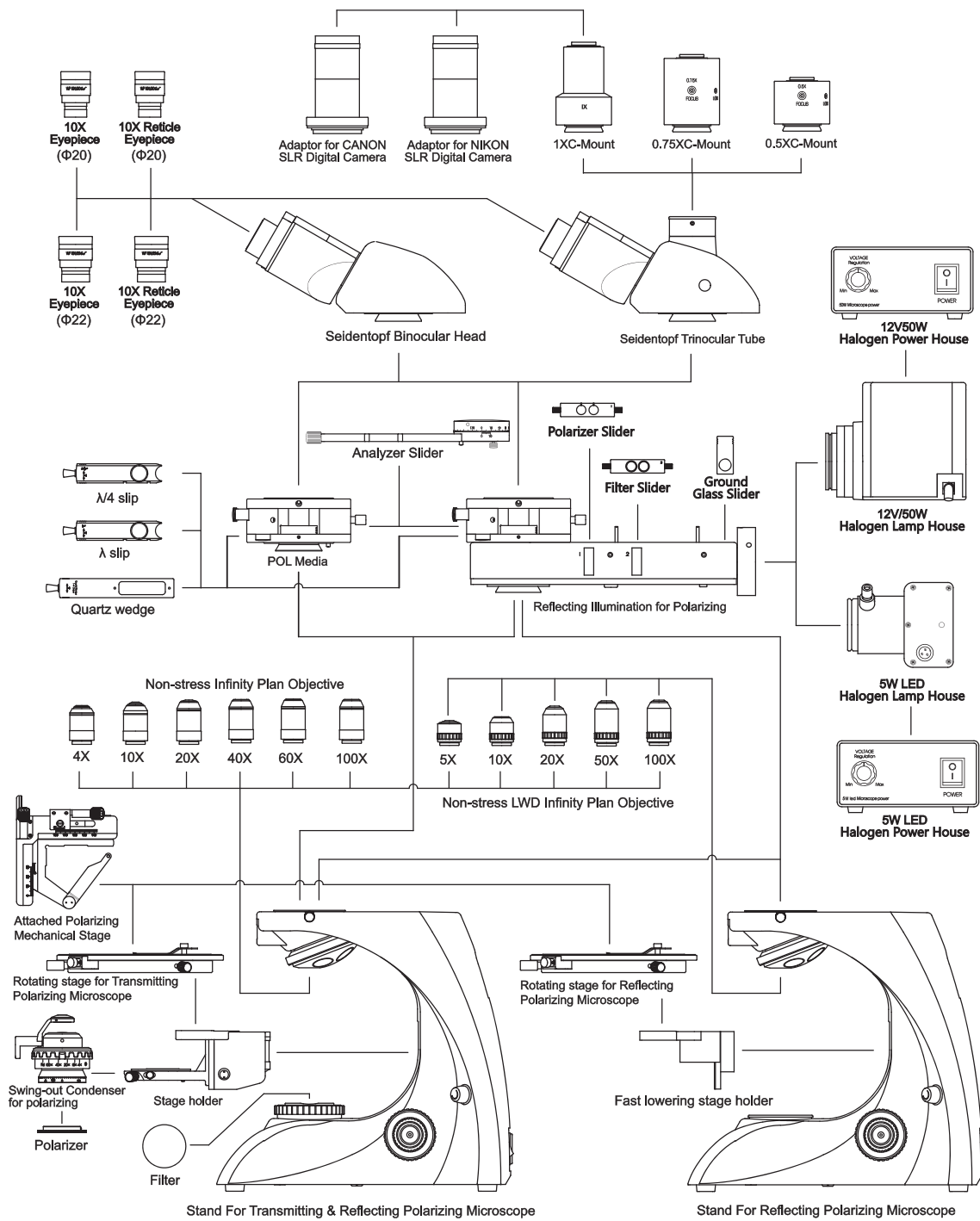
	Amber filter for reflected (Φ21)		○	○
	Green filter for reflected (Φ21)		○	○
	Neutral filter for reflected (Φ21)		○	○
C-mount	0.5X C-mount adapter, adjustable focus	○	○	○
	0.75X C-mount adapter, adjustable focus	○	○	○
	1X C-mount adapter, adjustable focus	○	○	○
Packing	Packing size 520mm*470mm*285mm, gross weight 12.5kgs, net weight 10kgs	●		
	Packing size 520mm*470mm*430mm, gross weight 15kgs, net weight 11.5kgs		●	
	Packing size 520mm*470mm*430mm, Gross Weight 16kgs, Net Weight 12.5kgs			●

Note: ● Standard Outfit, ○ Optional

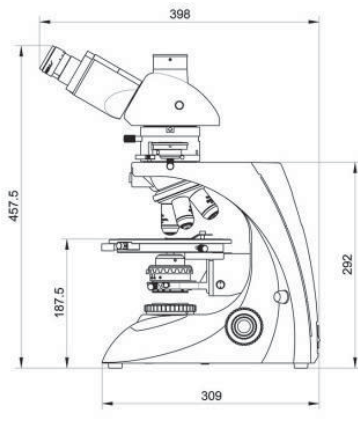
Sample Image



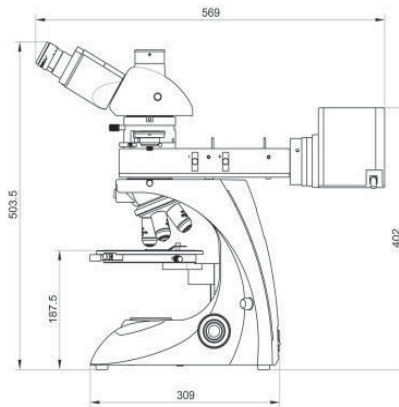
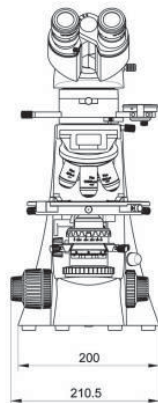
System Diagram



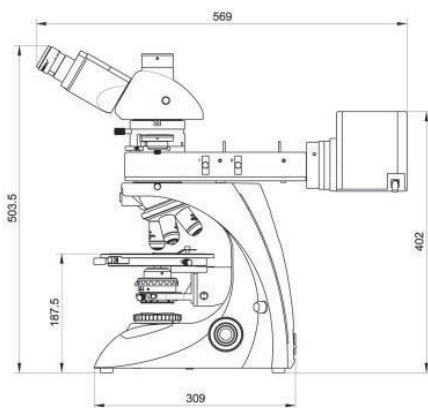
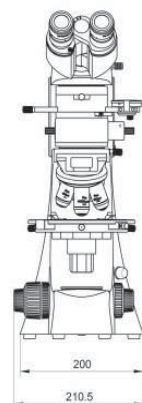
Dimension



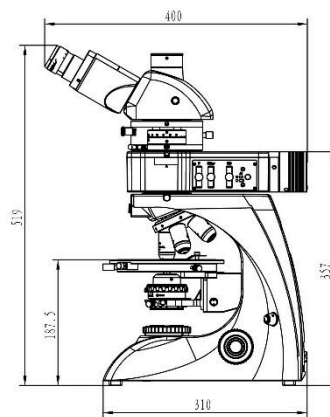
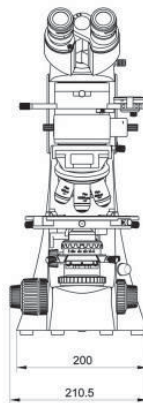
BS-5062T



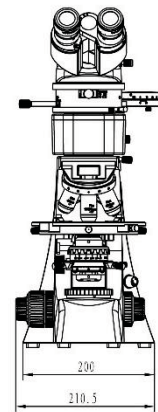
BS-5062TR



BS-5062TTR



BS-5062TTR(LED)



Unit: mm