

## BS-5040 Polarizing Microscope



BS-5040B



BS-5040T

### Introduction

The BS-5040 transmitted polarizing microscopes are equipped with a smooth, rotating, graduated stage and a set of polarizers that allow observation of all types of transmitted light polarized specimens such as thin sections of minerals, polymers, crystals and particulates. It is equipped with an infinite optical system, a comfortable viewing head and a set of Strain-free Infinite Plan Objectives which offers a magnification range of 40X – 400X. Digital camera can be used together with BS-5040T for image analysis.

### Feature

#### 1. Perfect optical system

Excellent infinite optical system with high resolution and perfect definition. High resolution and perfect definition from infinity correct optical system.

#### 2. Infinity stain-free plan objective

Infinite strain-free plan objectives, ensuring excellent resolution and clarity.

#### 3. Nosepiece and stage

Center adjustable nosepiece and rotating stage make the operation more accurate and reliable.

## 4. Viewing head



Brand new and humanized butterfly binocular head-tubes can be 360° rotated to raise observing height than normal tubes to be more convenient for users with different height.

## 5. Power supply



5V-12V low voltage input to ensure safe use.  
Power bank can be used for power supply, more convenient for field inspection and power-short condition

## Application

The BS-5040 series polarizing microscopes are specifically designed for geology, minerals, metallurgy, university teaching laboratories and other sectors. They also can be used in chemical fiber industry, semiconductor industry and the pharmaceutical inspection industry.

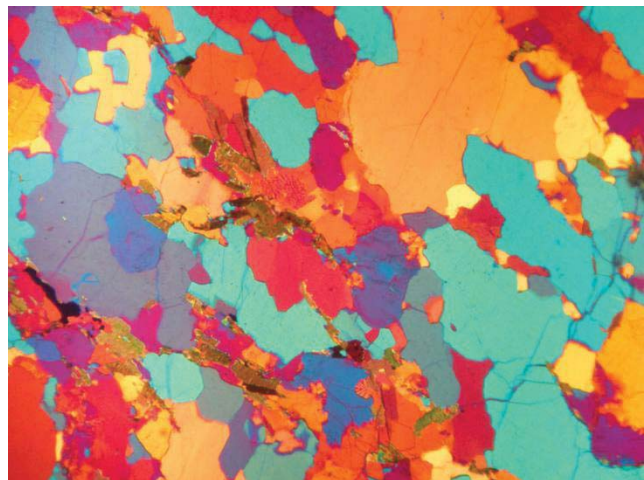
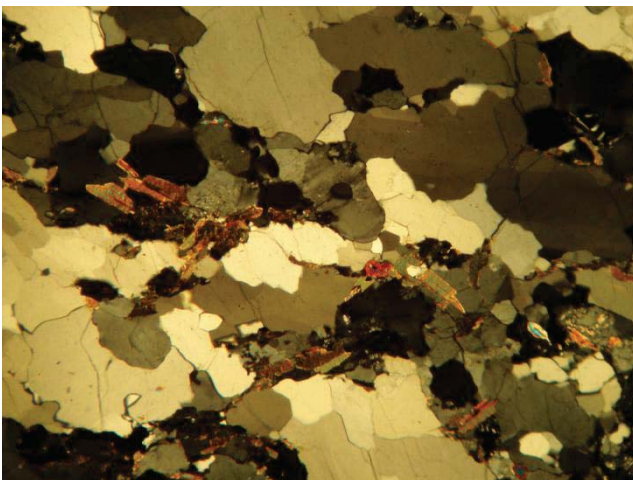
## Specification

Item	Specification	BS-5040B	BS-5040T	
Optical System	Color Corrected Infinite Optical System	•	•	
Viewing Head	Inclined 30° binocular tube, 360° rotatable, interpupillary distance: 48-75mm	•		
	Inclined 30° trinocular tube, 360° rotatable, interpupillary distance: 48-75mm, splitting ratio: eyepiece: trinocular=20:80		•	
Eyepiece	High eyepoint wide field eyepiece WF10X/20mm	•	•	
	High eyepoint wide field eyepiece WF10X/20mm, focusing adjustable, with reticule 0.1mm	•	•	
Objective	Strain-free Infinite Plan Objective	4X/ NA 0.10, WD=12.1mm	•	•
		10X/ NA 0.25, WD=4.64mm	•	•
		20X/ NA 0.40 (S), WD=2.41mm	•	•
		40X/ NA 0.66 (S), WD=0.65mm	•	•
		60X/ NA 0.80 (S), WD=0.33mm	○	○
	(Oil) 100X/ NA 1.25 (S), WD=0.12mm	○	○	
Nosepiece	Quadplex nosepiece, center adjustable	•	•	

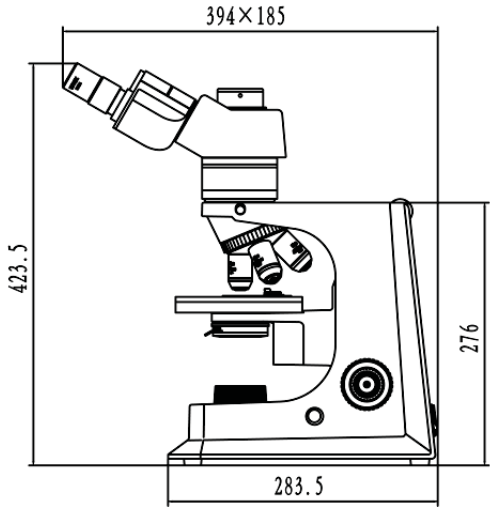
Focusing	Coaxial coarse & fine focusing knobs, travel range: 26mm, scale:2um	●	●
Analyzing Unit	0-90°, it can be moved out of the optical path for single polarizing observe	●	●
Bertrand Lens	It can be moved out of the optical path	●	●
Optical Compensator	$\lambda$ Slip, first class red	●	●
	1/4 $\lambda$ Slip	●	●
	( I -IV Class) Quartz wedge	●	●
Stage	Revolving round stage, rotatable 360°, division 1°, vernier division 6', can be locked. Diameter $\Phi$ 142mm.	●	●
	Polarizing attached mechanical stage	○	○
	Polarizing attached mechanical stage, thinner, does not affect the rotation of the objective lens	○	○
Condenser	Abbe condenser NA 1.25, stain-free	●	●
Polarizing Unit	Under the condenser, with scale rotatable 360°, can be locked and can be moved out of the optical path	●	●
Illumination	5W LED lamp, warm color, input voltage: 100V-240V	●	●
	12V/30W Halogen lamp	○	○
Filter	Blue filter ( $\Phi$ 45)	○	○
	Amber filter ( $\Phi$ 45)	○	○
	Green filter ( $\Phi$ 45)	○	○
	Neutral filter ( $\Phi$ 45)	○	○
C-mount	0.5X C-mount adapter, adjustable focus		●
	0.75X C-mount adapter, adjustable focus		○
	1X C-mount adapter, adjustable focus		○
	Trinocular digital eyepiece interface		○
Package	1pc/carton, 57×27.5×45cm, Gross Weight: 8.6kgs, Net Weight: 7.5kgs	●	●

Note: ● Standard outfits, ○ Optional.

## Sample Image



Dimension



Unit: mm