

1. BS-1085 4K Apochromatic Monocular Zoom Microscope



BS-1085A Monocular Zoom microscope lens



BS-1085A with L-type coaxial illuminator

BS-1085A with straight type coaxial illuminator

Introduction

BS-1085 series 0.3-3.0X ultra high resolution 4K apochromatic monocular zoom microscope Lenses have adopted apochromatic optical system. Work with 4K or higher solution cameras, they can capture ultra HD 4K images and videos. They can greatly improve the analysis and automated intelligent computing inspections.

BS-1085A comes with standard 0.3-3.0X zoom body, support Max. sensor size of camera is 2/3 inch.

BS-1085 zoom body with 1.67X or above C-mount lenses can support 1inch or bigger sensor cameras.

BS-1085 series microscopes can be used in the fields of machine vision, industrial inspection and scientific research. They can be widely used in food, silicon chips, wafer, chips, electronic components, biology and other fields of inspection and research.

Features

1. Apochromatic optical system

Apochromatic optical system. Greatly improve the analysis and automated intelligent computing judgment. Using the principle of apochromatic system, the image is perfectly clear without refocusing in different wavelength lighting situations.

2. Ultra 4K image

Compared to regular lenses, 4K lenses have clearer and sharper details, Higher color reproduction, no blue or purple edges at high magnification. Compared to ordinary lenses, equipped with a 1/1.8 " camera, add coaxial light, at minimum magnification of 0.3X. 4K lens images almost no dark angles, bigger field of view.

3. Modular design

Modular design. It can be equipped with functional components such as coaxial lighting, APO objective and objective nosepiece etc.

4. Different magnification

1:10 zoom ratio. 0.3X-3.0X standard zoom body. Standard C mount, install diameter is $\phi 50\text{mm}$. Max sensor size supported: 2/3 inch, 0.5-5.0X and above magnification supports 1 inch camera. Different magnification CTV mount and objective optional. Expanding magnification range by 0.15X-20X.

5. Large FOV

Compared to traditional lenses, the field of view at the same magnification is increased by more than 1.5X.

6. Mounting

BS-1085A has 2 types of mounting method, one is traditional mounting, another one has 2 holders for clamping, which is more stable.



BS-1085A with BA7 stand (Install dia. $\phi 50\text{mm}$)



BS-1085A with double holding structure

Specification

Item	Specification	BS-1085A	BS-1085B	BS-1085C	BS-1085D
Optical System	Infinite ultra-high resolution 4K apochromatic parallel optical system	●	●	●	●
Zoom Lens	Optical zoom magnification: 0.3X-3.0X (without click stop)	●	●	○	○
	Optical zoom magnification: 0.3X-3.0X (with click stop)	○	○	●	●
Zoom ratio	1:10	●	●	●	●
Mounting Size	Φ50mm	●	●	●	●
LCD Digital Camera	BLC-480A LCD digital camera with HDMI2.0, USB3.0 and WIFI multi output, 60fps@4K or 60fps@1080P, can capture 8M (3840*2160) pictures, 4K videos and do measurement, control with mouse. With 13.3 inch LCD screen, resolution 1920*1080.	○	○	○	○
	BLC-480B LCD digital camera with HDMI2.0, USB2.0 and WIFI multi output, 30fps@4K or 60fps@1080P, can capture 8M (3840*2160) pictures, 4K videos and do measurement, control with mouse. With 13.3 inch LCD screen, resolution 1920*1080.	○	○	○	○
	BLC-580A LCD digital camera with HDMI2.0, USB, LAN and WIFI multi output, 60fps@4K or 60fps@1080P, can capture 8M (3840*2160) pictures, 4K videos and do measurement, control with mouse. With 13.3 inch LCD screen, resolution 1920*1080.	○	○	○	○
	BLC-580AF LCD digital camera with HDMI2.0, USB and WIFI multi output, with built-in Auto Focus system, 60fps@4K or 60fps@1080P, can capture 8M (3840*2160) pictures, 4K videos and do measurement, control with mouse. With 13.3 inch LCD screen, resolution 1920*1080.	○	○	○	○
C-mount Adapter	1X C-mount adapter	●	○	●	○
	1.33X C-mount adapter	○	○	○	○
	1.67X C-mount adapter	○	●	○	●
	2X C-mount adapter	○	○	○	○
	2.33X C-mount adapter	○	○	○	○
	2.67X C-mount adapter	○	○	○	○

	3X C-mount adapter	○	○	○	○
	3.33X C-mount adapter	○	○	○	○
Optical Magnification	0.3X-3.0X (with 1X C-mount adapter)	●	○	●	○
	0.4X-4.0X (with 1.33X C-mount adapter)	○	○	○	○
	0.5X-5.0X (with 1.67X C-mount adapter)	○	●	○	●
	0.6X-6.0X (with 2X C-mount adapter)	○	○	○	○
	0.7X-7.0X (with 2.33X C-mount adapter)	○	○	○	○
	0.8X-8.0X (with 2.67X C-mount adapter)	○	○	○	○
	0.9X-9.0X (with 3X C-mount adapter)	○	○	○	○
	1.0X-10.0X (with 3.33X C-mount adapter)	○	○	○	○
Auxiliary Lens	0.5X / WD: 180mm	○	○	○	○
	1X / WD: 100mm	●	●	●	●
	2X / WD: 38mm	○	○	○	○
Infinite LWD Plan Achromatic Metallurgical Objective Lens (MA200A)	5X/ NA=0.12, WD=26.1mm	○	○	○	○
	10X/ NA=0.25, WD=20.2mm	○	○	○	○
	20X/ NA=0.4, WD=8.8mm	○	○	○	○
	40X/ NA=0.6, WD=3.98mm	○	○	○	○
	50X/ NA=0.7, WD=3.68mm	○	○	○	○
	60X/ NA=0.75, WD=1.22mm	○	○	○	○
	60X/ NA=0.75, WD=3.18mm	○	○	○	○
	80X/ NA=0.8, WD=1.25mm	○	○	○	○
100X/ NA=0.85, WD=0.4mm	○	○	○	○	
Infinite LWD Plan Apochromatic Objectives (LWD M APO200A)	2X/ NA=0.055, WD=34.6mm	○	○	○	○
	3.5X/ NA=0.1, WD=40.93mm	○	○	○	○
	5X/ NA=0.13, WD=44.5mm	○	○	○	○
	10X/ NA=0.28, WD=34mm	○	○	○	○
	20X/ NA=0.29, WD=31mm	○	○	○	○
	50X/ NA=0.42, WD=20.1mm	○	○	○	○
Infinite LWD Plan Apochromatic Objectives (LWD M APO200B)	2X/ NA=0.075, WD=50mm	○	○	○	○
	4X/ NA=0.15, WD=36mm	○	○	○	○
	4.5X/ NA=0.18, WD=38mm	○	○	○	○
	20X/ NA=0.35, WD=29mm	○	○	○	○
Coaxial light	Straight Type Coaxial Device, light input port Φ 16mm	○	○	○	○

Device	(does not include light source, can be used for all the C-mount adapters)				
	Coaxial point light source for Straight Type Coaxial Device: Φ 16mm, 3W LED, 5500K, brightness adjustable	o	o	o	o
	L-Type Coaxial Device with iris diaphragm, light input port Φ 11mm (does not include light source, used for 1.67 \times C-mount adapters and above)	o	o	o	o
	Coaxial point light source for L-Type Coaxial Device: Φ 11mm, 3W LED, 5500K, brightness adjustable	o	o	o	o
Ring Light	BAL-80A LED Ring light, brightness adjustable	o	o	o	o
	BAL-52AP LED polarizing ring light, brightness adjustable	o	o	o	o
	BAL-52ASL LED side ring light, brightness adjustable	o	o	o	o
	BAL-228A Four-zone lighting control separately big area LED ring light	o	o	o	o
	BAL-228AG LED four-zone ring light with frosted glass	o	o	o	o
	BAL-16P LED polarizing ring light, brightness adjustable	o	o	o	o
Back Light	BTL-60A LED back light	o	o	o	o
Point Light	BPL-3A LED point light, 3W, brightness adjustable.	o	o	o	o
	BPL-3MC LED multi color point light, 3W, white, purple, blue, yellow, red, green and mixed light, brightness adjustable	o	o	o	o
	BPL-4A LED point light with numerically adjustable light adapter, 4W, brightness adjustable	o	o	o	o
Bar Light	BBL-5A bar LED illuminator, 60 LED, 12V/5W	o	o	o	o
Cold Light Source	BSL-3B LED light source with dual goose neck light guide, 6.5W	o	o	o	o
	BSL-15A-2 Cold LED light source with Dual Light Guide, 15W LED lamp	o	o	o	o
	BSL2-150A-2 Cold light source with Dual Light Guide, 21V/150W Halogen lamp	o	o	o	o
Stage	BMS-302 X-Y moving stage	o	o	o	o
	BMS-303 X-Y moving stage	o	o	o	o
	BMS-311 X-Y measuring stage	o	o	o	o
	BMS-316A X-Y measuring stage	o	o	o	o
	BMS-316B X-Y measuring stage	o	o	o	o

	BMS-400A large working stage	○	○	○	○
	BMS-260A XY working stage	○	○	○	○
Other Accessories	Metallurgical objective adapter (used to connect metallurgical objectives onto the zoom body)	○	○	○	○
	Quadruple Nosepiece for metallurgical objectives (RMS: 20.32mm x 0.706mm)	○	○	○	○
	Quadruple Nosepiece for APO metallurgical objectives (M26*0.705mm)	○	○	○	○
	Double holding bracket	○	○	○	○
Stand and focusing arm	BA1 Round type column plain stand with coarse focus arm. Stroke: 50mm.	○	○	○	○
	BA2 Round type column plain stand with coarse focus arm, transmitted 12V/5W LED illumination, brightness adjustable. Stroke: 50mm.	○	○	○	○
	BA3 Round type column plain stand with coarse and fine focus arm. Stroke: 67mm, fine precision: 0.002mm.	○	○	○	○
	BA4 Round type column plain stand with coarse and fine focus arm, transmitted 12V/5W LED illumination, brightness adjustable. Stroke: 67mm, fine precision: 0.002mm.	○	○	○	○
	BA5 Square type column plain stand with coarse focus arm. Stroke: 150mm.	○	○	○	○
	BA6 Square type column plain stand with coarse focus arm, transmitted 12V/5W LED illumination, brightness adjustable. Stroke: 150mm.	○	○	○	○
	BA7 Square type column plain stand with coarse and fine focus arm. Stroke: 260mm, fine precision: 0.002mm.	○	○	○	○
	BA8 Square type column plain stand with coarse and fine focus arm, transmitted 12V/5W LED illumination, brightness adjustable. Stroke: 260mm, fine precision: 0.002mm.	○	○	○	○
	BA9 multi-angle column plain stand with coarse focus arm. Stroke: 60mm.	○	○	○	○
	BA10 multi-angle column plain stand with coarse and fine focus arm. Stroke: 60mm, fine precision: 0.002mm.	○	○	○	○

BA11 universal boom stand with coarse focus arm. Column height: 320mm, horizontal column length: 340mm, Φ 32mm, 360° rotatable. Base size: 330mm*300mm. Stroke: 50mm.	○	○	○	○
BA12 universal boom stand with coarse and fine focus arm. Column height: 320mm, horizontal column length: 340mm, Φ 32mm, 360° rotatable. Base size: 330mm*300mm. Stroke: 65mm, fine precision: 0.002mm.	○	○	○	○
BA13 Round type column large plain stand with coarse focus arm. Column height: 320mm, Φ 25mm, stroke: 50mm, base size: 380mm*260mm. Gross weight: 1.5kg.	○	○	○	○
BFA-1 coarse focus arm. Stroke: 50mm.	○	○	○	○
BFA-2 coarse and fine focus arm. Stroke: 65mm, fine precision: 0.002mm.	○	○	○	○
BFA-3 multi-angle coarse focus arm, angle adjustable. Stroke: 50mm.	○	○	○	○
BFA-4 multi-angle coarse and fine focus arm, angle adjustable. Stroke: 60mm, fine precision: 0.002mm.	○	○	○	○
BFA-5 electric coarse and fine focus arm, supporting manual focusing and electric focusing. It has 5 preset positions, paired with 5 different magnification objectives. Stroke: 65mm, fine precision: 0.005mm.	○	○	○	○
BFA-6 N interface coarse focus arm. Stroke: 50mm.	○	○	○	○
BFA-7 N interface coarse and fine focus arm. Stroke: 65mm, fine precision: 0.002mm.	○	○	○	○

Note: ●Standard Outfit, ○Optional

Optical Parameter

BS-1085A 0.3-3.0X Ultra Resolution 4K Zoom Lens (with 1× C-mount adapter)

Model	BS-1085A with 1× C-mount adapter				
Magnification	0.3X	0.5X	1.0X	2.0X	3.0X
Focus distance(mm)	27	45	90	180	270
Working distance(mm)	100	100	100	100	100
Depth of field (mm)	5.80	2.16	0.63	0.22	0.12
NA(mm)	0.023	0.037	0.063	0.090	0.107

Resolution(mm)	0.015	0.009	0.005	0.004	0.003
F/#	6.5	6.8	7.9	11.1	14.0
Dist%	3.90%	1.90%	0.55%	-0.04%	-0.23%
CCD	2/3"	2/3"	2/3"	2/3"	2/3"
Mount	C	C	C	C	C
Reversal F/#	21.7	13.5	7.9	5.6	4.7

BS-1085A 0.5-5.0X Ultra Resolution 4K Zoom Lens (with 1.67× C-mount adapter)

Model	BS-1085A with 1.67× C-mount adapter					
Magnification	0.5X	1.0X	2.0X	3.0X	4.0X	5.0X
Focus distance(mm)	45	90	180	270	360	450
Working distance(mm)	100	100	100	100	100	100
Depth of field (mm)	3.48	0.93	0.29	0.16	0.10	0.07
NA(mm)	0.023	0.043	0.070	0.085	0.097	0.107
Resolution(mm)	0.015	0.008	0.005	0.004	0.003	0.003
F/#	10.9	11.6	14.3	17.6	20.6	23.4
Dist%	2.97%	1.10%	0.20%	-0.03%	0.13%	0.20%
CCD	1"	1"	1"	1"	1"	1"
Mount	C	C	C	C	C	C
Reversal F/#	21.7	11.6	7.1	5.9	5.2	4.7

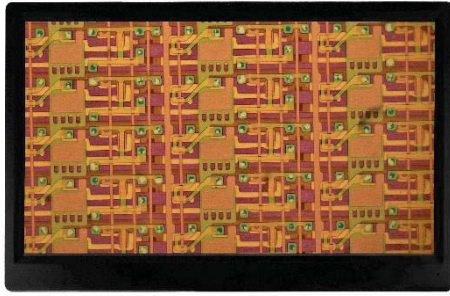
Product pictures



BS-1085A with 1X C-mount adapter



BS-1085B with 1.67X C-mount adapter



LCD digital camera(front)



LCD digital camera(back)



0.5X/1X/2X Objective



4 holes nosepiece
M20.3 thread size



4 holes nosepiece
M26 thread size



Infinity Plan semi-APO achromatic objective



95mm plan APO objective



CTV mount



4K objective



Coaxial device with iris



High brightness coaxial device



BS-1085A with L-type coaxial illuminator



BS-1085A with straight type coaxial illuminator



BS-1085A with L-type coaxial illuminator and APO objective lens



BS-1085A with straight type coaxial illuminator and APO objective lens



BS-1085A with coaxial illuminator and nosepiece



Double holding bracket

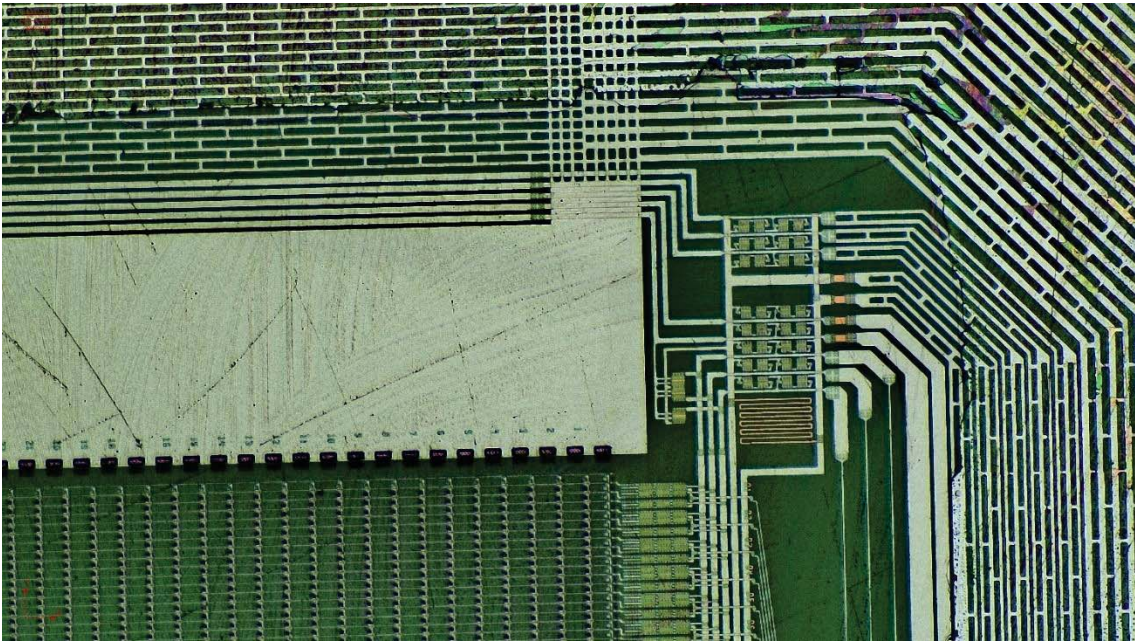


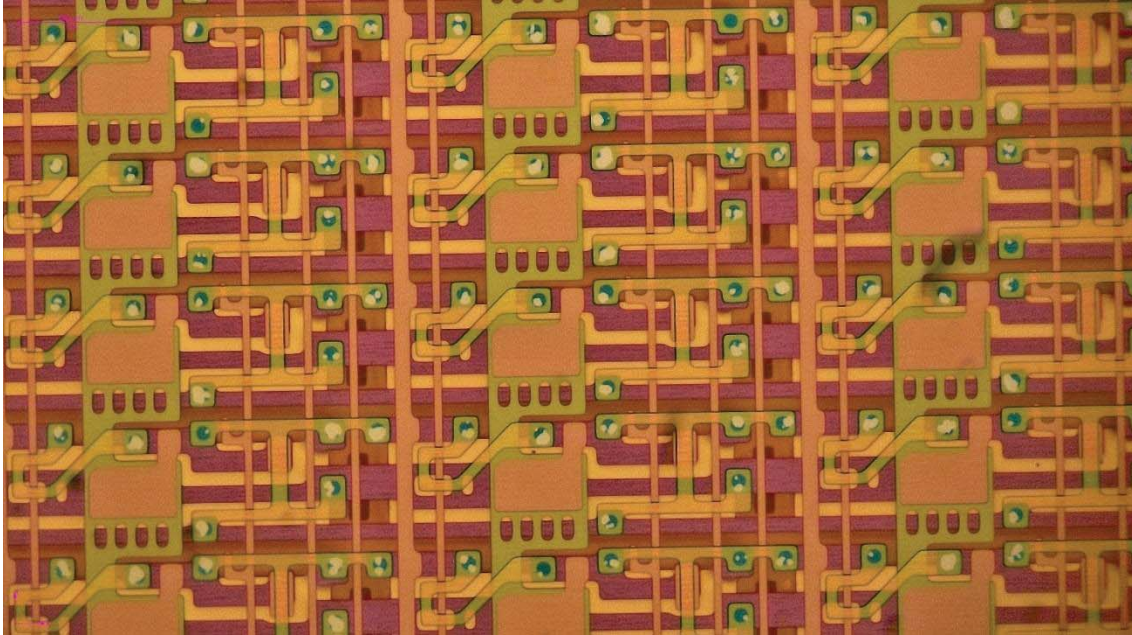
BS-1085A with straight type coaxial illuminator with nosepiece and APO objective lens



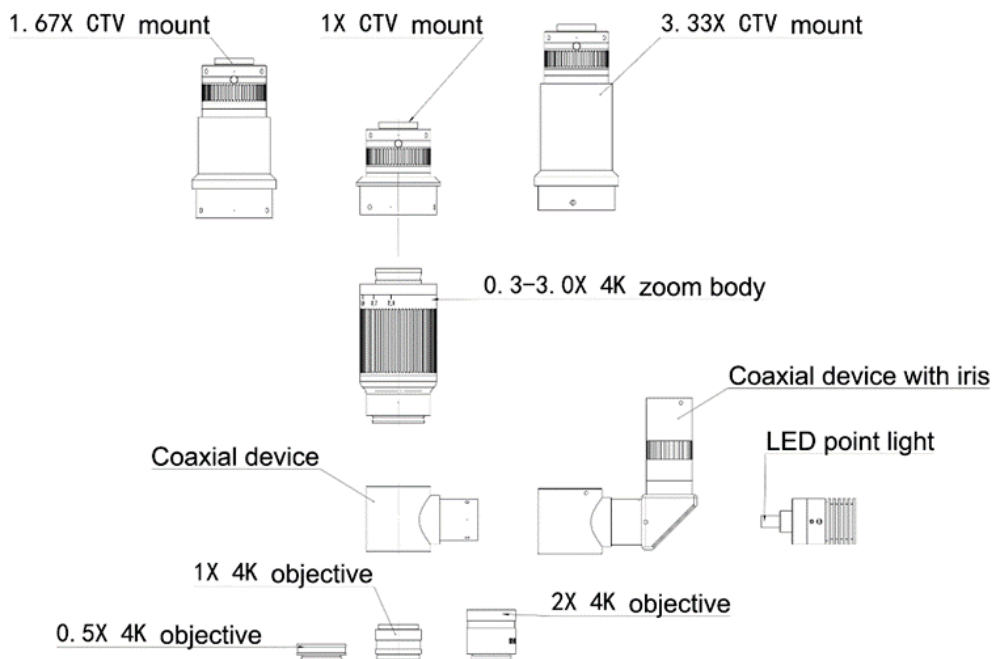
BS-1085A with L-type coaxial illuminator with nosepiece and APO objective lens

Sample Images

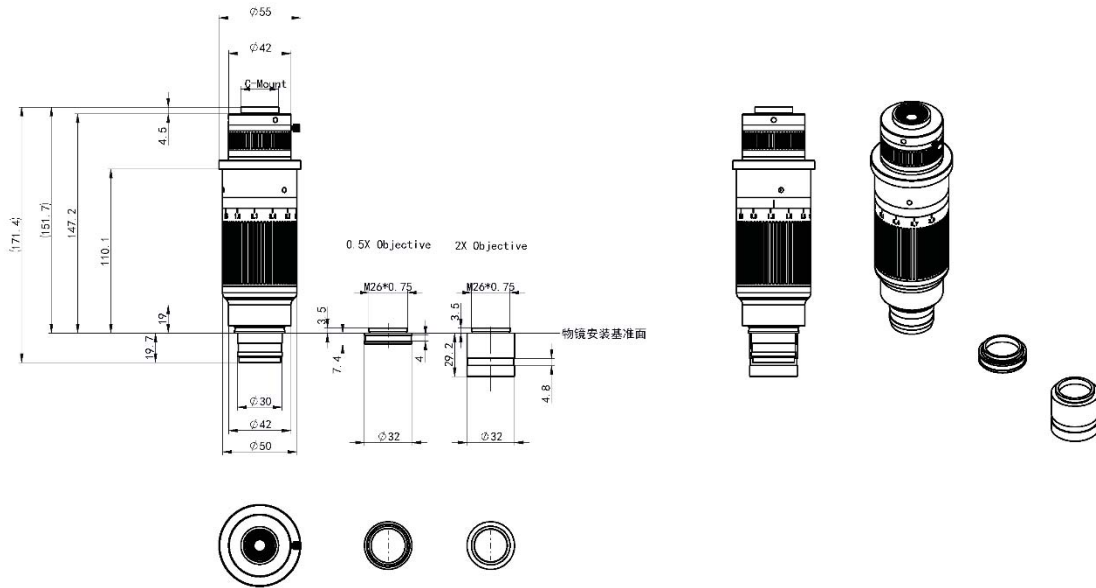




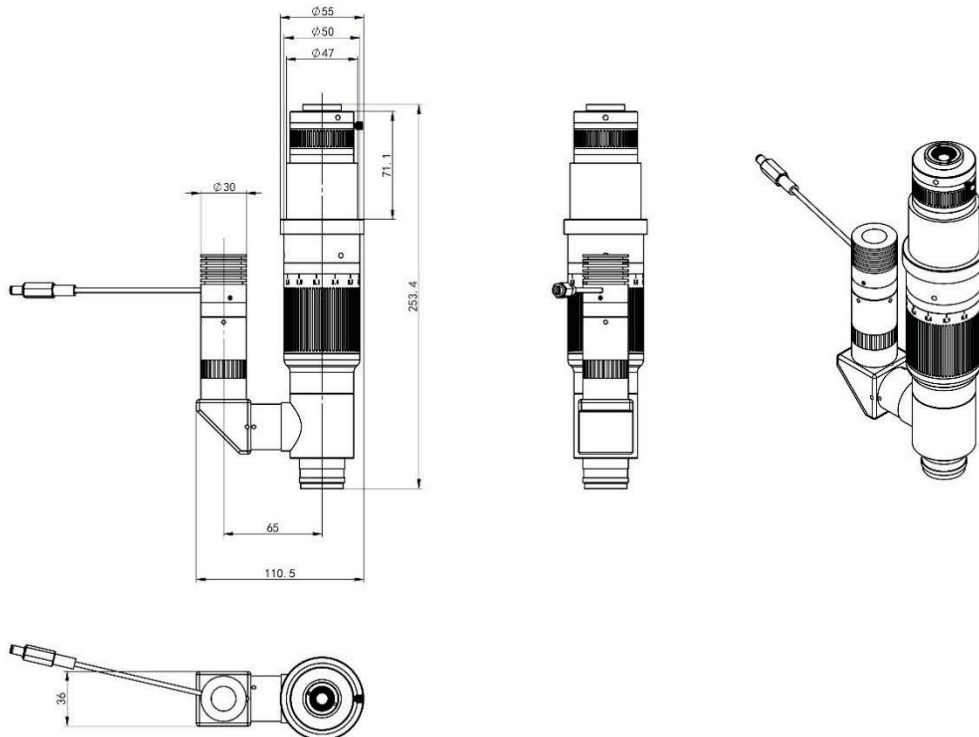
System Diagram



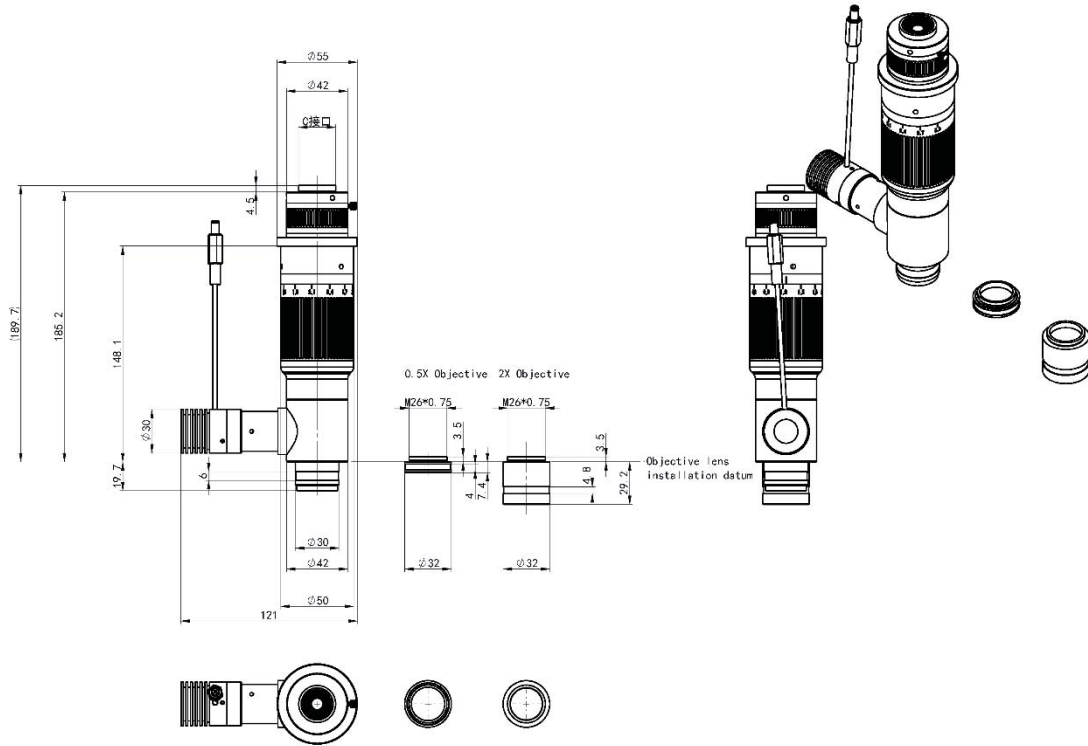
Dimension



BS-1085A and objective



BS-1085A with 1.67X C-mount adapter and L-type coaxial illuminator



BS-1085A with 1X C-mount adapter and straight type coaxial illuminator

2. BS-1085AM 4K Motor Zoom Monocular Microscope



BS-1085AM

Introduction

BS-1085AM 0.3-3.0X ultra high resolution 4K apochromatic motor zoom monocular microscope has adopted apochromatic optical system. Work with 4K or higher solution cameras, they can capture ultra-HD 4K images and videos. They can greatly improve the analysis and automated intelligent computing inspections.

BS-1085AM microscope can be used in the fields of machine vision, industrial inspection and scientific research. They can be widely used in food, silicon chips, wafer, chips, electronic components, biology and other fields of inspection and research.

Features

1. Apochromatic optical system

0.3-3.0X motor zoom, 10:1 super zoom ratio. Apochromatic optical system, 4K ultra high-definition imaging. High precision electric zoom lens, repetition accuracy 0.001mm.

2. Ultra 4K image

Compared to regular lenses, 4K lenses have clearer and sharper details, Higher color reproduction, no blue or purple edges at high magnification.

3. Large FOV

Supports maximum chip size: 2/3 inches, 0.5-5.0X and above magnification zoom supports 1-inch cameras, which increase the field of view by more than 1.5X compared to traditional lenses at the same magnification.

4. Precise electronic feedback system

Accurate electronic feedback system, intelligent setting for continuous cruise scanning.

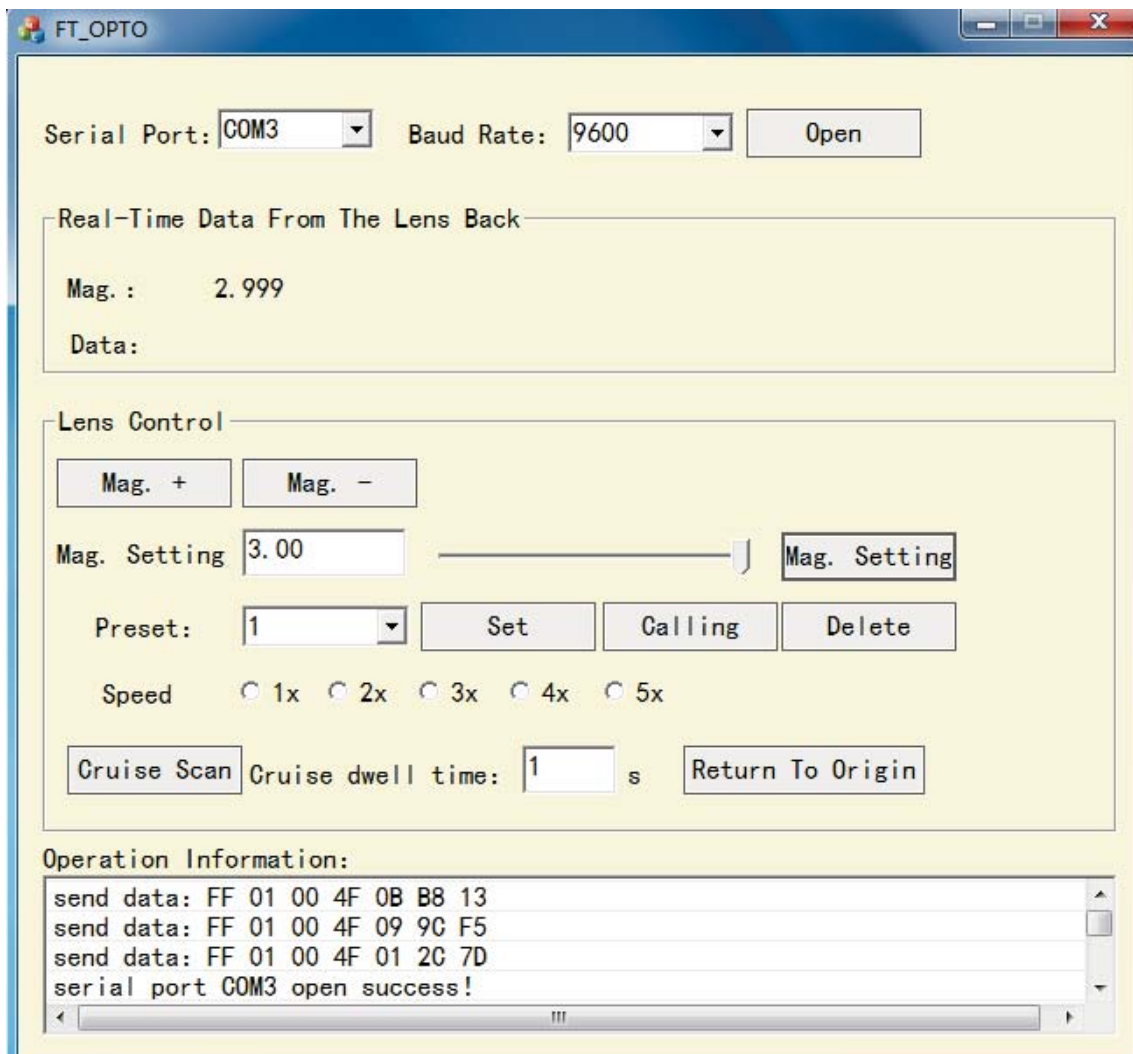
5. Modular design

Intelligent modular design, it can be equipped with different magnification CTV mount and objective, expanding the magnification range by 0.15X-20X. There are coaxial light sources, high-power apochromatic objectives and nosepieces for optional.

6. Secondary development

Provide secondary development modules.

Software Window



Specification

Item	Specification	BS-1085AM
Optical System	Infinite ultra-high resolution 4K apochromatic parallel optical system	●
Zoom Lens	Optical zoom magnification: 0.3X-3.0X	●
Zoom method	Auto zoom	●
Zoom ratio	1:10	●
LCD Digital Camera	BLC-480A LCD digital camera with HDMI2.0, USB3.0 and WIFI multi output, 60fps@4K or 60fps@1080P, can capture 8M (3840*2160) pictures, 4K videos and do measurement, control with mouse. With 13.3 inch LCD screen, resolution 1920*1080.	○
	BLC-480B LCD digital camera with HDMI2.0, USB2.0 and WIFI multi output, 30fps@4K or 60fps@1080P, can capture 8M (3840*2160) pictures, 4K videos and do measurement, control with mouse. With 13.3 inch LCD screen, resolution 1920*1080.	○
	BLC-580A LCD digital camera with HDMI2.0, USB, LAN and WIFI multi output, 60fps@4K or 60fps@1080P, can capture 8M (3840*2160) pictures, 4K videos and do measurement, control with mouse. With 13.3 inch LCD screen, resolution 1920*1080.	○
	BLC-580AF LCD digital camera with HDMI2.0, USB and WIFI multi output, with built-in Auto Focus system, 60fps@4K or 60fps@1080P, can capture 8M (3840*2160) pictures, 4K videos and do measurement, control with mouse. With 13.3 inch LCD screen, resolution 1920*1080.	○
C-mount Adapter	1X C-mount adapter	●
	1.33X C-mount adapter	○
	1.67X C-mount adapter	○
	2X C-mount adapter	○
	2.33X C-mount adapter	○
	2.67X C-mount adapter	○
	3X C-mount adapter	○
	3.33X C-mount adapter	○
Auxiliary Lens	0.5X / WD: 180mm	○
	1X / WD: 100mm	●
	2X / WD: 38mm	○
Infinite LWD Plan Achromatic Metallurgical Objective Lens (MA200A)	5X/ NA=0.12, WD=26.1mm	○
	10X/ NA=0.25, WD=20.2mm	○
	20X/ NA=0.4, WD=8.8mm	○
	40X/ NA=0.6, WD=3.98mm	○
	50X/ NA=0.7, WD=3.68mm	○
	60X/ NA=0.75, WD=1.22mm	○
	60X/ NA=0.75, WD=3.18mm	○

	80X/ NA=0.8, WD=1.25mm	○
	100X/ NA=0.85, WD=0.4mm	○
Infinite LWD Plan Apochromatic Objectives (LWD M APO200A)	2X/ NA=0.055, WD=34.6mm	○
	3.5X/ NA=0.1, WD=40.93mm	○
	5X/ NA=0.13, WD=44.5mm	○
	10X/ NA=0.28, WD=34mm	○
	20X/ NA=0.29, WD=31mm	○
	50X/ NA=0.42, WD=20.1mm	○
Infinite LWD Plan Apochromatic Objectives (LWD M APO200B)	2X/ NA=0.075, WD=50mm	○
	4X/ NA=0.15, WD=36mm	○
	4.5X/ NA=0.18, WD=38mm	○
	20X/ NA=0.35, WD=29mm	○
Coaxial light Device	Straight Type Coaxial Device, light input port Φ 16mm (does not include light source, can be used for all the C-mount adapters)	○
	Coaxial point light source for Straight Type Coaxial Device: Φ 16mm, 3W LED, 5500K, brightness adjustable	○
	L-Type Coaxial Device with iris diaphragm, light input port Φ 11mm (does not include light source, used for 1.67 \times C-mount adapters and above)	○
	Coaxial point light source for L-Type Coaxial Device: Φ 11mm, 3W LED, 5500K, brightness adjustable	○
Ring Light	BAL-80A LED Ring light, brightness adjustable	○
	BAL-52AP LED polarizing ring light, brightness adjustable	○
	BAL-52ASL LED side ring light, brightness adjustable	○
	BAL-228A Four-zone lighting control separately big area LED ring light	○
	BAL-228AG LED four-zone ring light with frosted glass	○
	BAL-16P LED polarizing ring light, brightness adjustable	○
Back Light	BTL-60A LED back light	○
Point Light	BPL-3A LED point light, 3W, brightness adjustable.	○
	BPL-3MC LED multi color point light, 3W, white, purple, blue, yellow, red, green and mixed light, brightness adjustable	○
	BPL-4A LED point light with numerically adjustable light adapter, 4W, brightness adjustable	○
Bar Light	BBL-5A bar LED illuminator, 60 LED, 12V/5W	○
Cold Light Source	BSL-3B LED light source with dual goose neck light guide, 6.5W	○
	BSL-15A-2 Cold LED light source with Dual Light Guide, 15W LED lamp	○
	BSL2-150A-2 Cold light source with Dual Light Guide, 21V/150W Halogen lamp	○
Stage	BMS-302 X-Y moving stage	○

	BMS-303 X-Y moving stage	○
	BMS-311 X-Y measuring stage	○
	BMS-316A X-Y measuring stage	○
	BMS-316B X-Y measuring stage	○
	BMS-400A large working stage	○
	BMS-260A XY working stage	○
Other Accessories	Metallurgical objective adapter (used to connect metallurgical objectives onto the zoom body)	○
	Quadruple Nosepiece for metallurgical objectives (RMS: 20.32mm x 0.706mm)	○
	Quadruple Nosepiece for APO metallurgical objectives (M26*0.705mm)	○
	Double holding bracket	○
Stand and focusing arm	BA1 Round type column plain stand with coarse focus arm. Stroke: 50mm.	○
	BA2 Round type column plain stand with coarse focus arm, transmitted 12V/5W LED illumination, brightness adjustable. Stroke: 50mm.	○
	BA3 Round type column plain stand with coarse and fine focus arm. Stroke: 67mm, fine precision: 0.002mm.	○
	BA4 Round type column plain stand with coarse and fine focus arm, transmitted 12V/5W LED illumination, brightness adjustable. Stroke: 67mm, fine precision: 0.002mm.	○
	BA5 Square type column plain stand with coarse focus arm. Stroke: 150mm.	○
	BA6 Square type column plain stand with coarse focus arm, transmitted 12V/5W LED illumination, brightness adjustable. Stroke: 150mm.	○
	BA7 Square type column plain stand with coarse and fine focus arm. Stroke: 260mm, fine precision: 0.002mm.	○
	BA8 Square type column plain stand with coarse and fine focus arm, transmitted 12V/5W LED illumination, brightness adjustable. Stroke: 260mm, fine precision: 0.002mm.	○
	BA9 multi-angle column plain stand with coarse focus arm. Stroke: 60mm.	○
	BA10 multi-angle column plain stand with coarse and fine focus arm. Stroke: 60mm, fine precision: 0.002mm.	○
	BA11 universal boom stand with coarse focus arm. Column height: 320mm, horizontal column length: 340mm, Φ32mm, 360° rotatable. Base size: 330mm*300mm. Stroke: 50mm.	○
	BA12 universal boom stand with coarse and fine focus arm. Column height: 320mm, horizontal column length: 340mm, Φ32mm, 360° rotatable. Base size: 330mm*300mm. Stroke: 65mm, fine precision: 0.002mm.	○
	BA13 Round type column large plain stand with coarse focus arm. Column height: 320mm, Φ25mm, stroke: 50mm, base size: 380mm*260mm. Gross weight: 1.5kg.	○
	BFA-1 coarse focus arm. Stroke: 50mm.	○
	BFA-2 coarse and fine focus arm. Stroke: 65mm, fine precision: 0.002mm.	○
	BFA-3 multi-angle coarse focus arm, angle adjustable. Stroke: 50mm.	○
BFA-4 multi-angle coarse and fine focus arm, angle adjustable. Stroke: 60mm, fine precision: 0.002mm.	○	

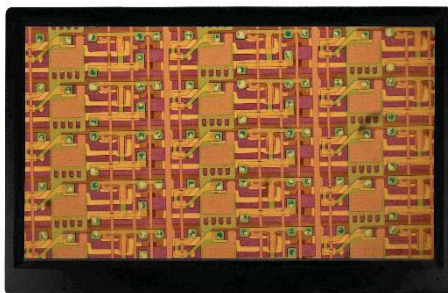
	BFA-5 electric coarse and fine focus arm, supporting manual focusing and electric focusing. It has 5 preset positions, paired with 5 different magnification objectives. Stroke: 65mm, fine precision: 0.005mm.	○
	BFA-6 N interface coarse focus arm. Stroke: 50mm.	○
	BFA-7 N interface coarse and fine focus arm. Stroke: 65mm, fine precision: 0.002mm.	○

Note: ●Standard Outfit, ○Optional

Optical Parameter

Model	BS-1085AM				
Zoom body	0.3-3.0X				
Lens mount	Standard C mount				
Working distance	100mm				
Zoom method	Motor zoom				
Power supply	DC12V 2A				
Connect port	Standard USB port, RS232 9 pins serial port optional				
Max sensor	2/3"				
Magnification	0.3X	0.5X	1.0X	2.0X	3.0X
WD (mm)	100	100	100	100	100
Depth of view (mm)	5.80	2.16	0.63	0.22	0.12
NA (mm)	0.023	0.037	0.063	0.090	0.107
Resolution(mm)	0.015	0.009	0.005	0.004	0.003
F/#	6.5	6.8	7.9	11.1	14.0
Dist%	3.90%	1.90%	0.55%	-0.04%	-0.23%

Accessories



LCD digital camera(front)



LCD digital camera(back)



0.5X/1X/2X Objective



4 holes nosepiece
M20.3 thread size



4 holes nosepiece
M26 thread size



Infinity Plan semi-APO achromatic objective



95mm plan APO objective



CTV mount



4K objective



Coaxial device with iris



High brightness coaxial device



BS-1085AM with straight type coaxial device



BS-1085AM with L-type coaxial device



BS-1085AM with straight type coaxial illuminator and APO objective lens



BS-1085AM with L-type coaxial illuminator and APO objective lens



BS-1085AM



BS-1085AM with BA3 Stand