

BS-206X Series Biological Microscopes

- 1. " o " U
- 2. " o 70) 0) 7 U
- 3. " o 7 0) 0) 7 U
- 4. " o " U

BS-2063 Series Biological Microscope

BS-2063B



BS-2063T

Introduction

BS-2063 series microscopes are high level microscopes which are specially designed for college education, medical and laboratory study. It adopts an Infinite optical system, beautiful structure and ergonomic design. With an innovative optical and structure design, excellent optical performance and easy to operate system, these biological microscopes make your works enjoyable.

Feature**1. Excellent infinite optical system**

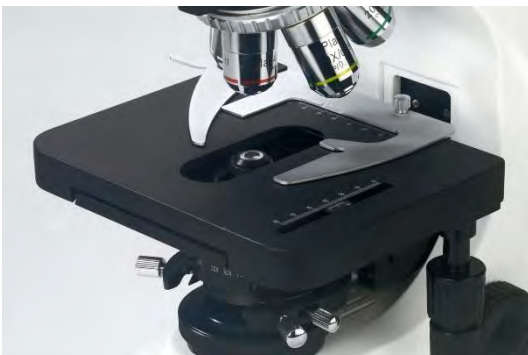
Excellent infinite optical system with high resolution and perfect definition.

2. Wide field eyepiece

Wide field eyepiece, view field up to $\Phi 22\text{mm}$, more comfortable for observation.

3. Viewing head

Trinocular head with light distribution 100:0 (100% for eyepiece) and 80:20(80% for trinocular head and 20% for eyepiece).

4. Rackless stage

Rackless (integrated) stage is safer than traditional stage.

5. Various accessories for upgrading.

100X water objective is available for convenient viewing.



Quintuple turret phase contrast unit with 10X/20X/40X/100X infinite plan phase contrast objective for phase contrast and bright field observation.



N.A.0.9/0.13 Swing-out Condenser
Dark field condenser (dry) available to 4X-40X Objective
Dark field condenser (oil) available to 100X Objective



Infinite Plan Objectives

Mercury and LED fluorescent attachment with six-holes disk fluorescence unit, more fluorescence filters can be supplied.





BS-2063FT



BS-2063FT(LED) with B/G Filter



BS-2063FT(LED) with UV/V/B/G Filter



BS-2063F2B(LED)



BS-2063F2T(LED)

Simple polarizing unit with polarizer and analyzer.



Application

BS-2063 series microscopes are ideal instrument in biological, histological, pathological, bacteriology, immunizations and pharmacy field and can be widely used in medical and sanitary institutes, such as hospitals, clinics, academic laboratories, colleges and universities.

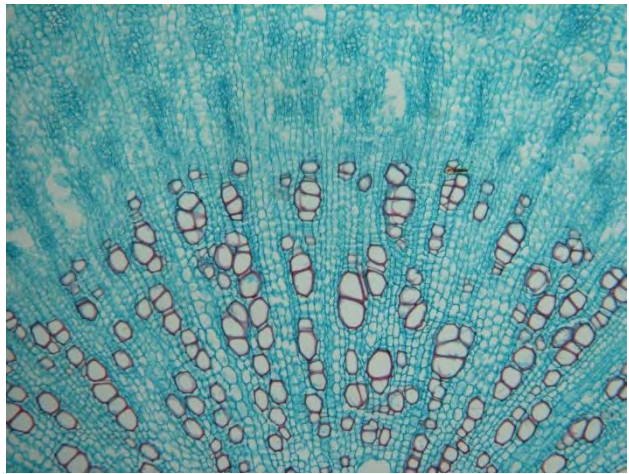
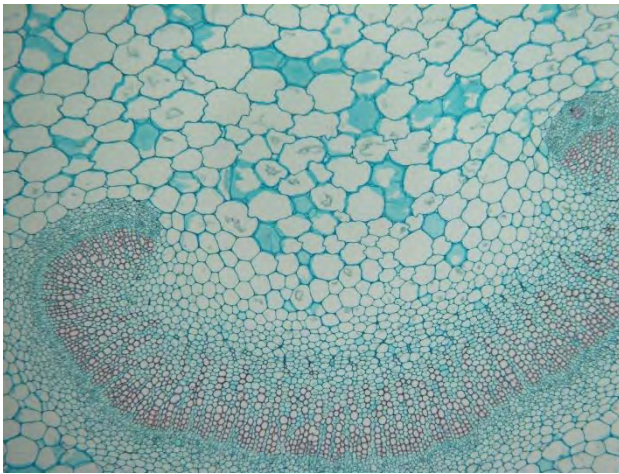
Specification

Item	Specification	BS-2063B	BS-2063T
Optical System	Color Corrected Infinite Optical System	●	●
Viewing Head	Inclined 30° binocular tube, 360° rotatable, interpupillary distance: 48-76mm	●	
	Inclined 30° trinocular tube, 360° rotatable, interpupillary distance: 48-76mm, splitting ratio: eyepiece: trinocular=100:0 or 20:80		●
Eyepiece	Wide field eyepiece WF10X/22mm, diopter adjustable, tube diameter: 30mm	●	●
	WF15×/16mm, diopter adjustable	○	○
	WF10×/22mm with 0.1mm eyepiece micrometer	○	○
Infinite Plan Achromatic Objective	2X/ NA 0.06	○	○
	4X/ NA 0.10, WD=12.10mm	●	●
	10X/ NA 0.25, WD4.64mm	●	●
	20X/ NA 0.40 (S), WD=2.41mm	●	●
	40X/ NA 0.66 (S), WD=0.65mm	●	●
	60X/ NA 0.80 (S), WD=0.33mm	○	○
	(Oil) 100X/ NA 1.25 (S), WD=0.12mm	●	●
Infinity Plan Semi-Apochromatic Fluorescent Objectives	(Water) 100X/ NA 1.15 (S), WD=0.19mm	○	○
	4X/NA=0.16, WD=17.15mm	○	○
	10X/NA=0.30, WD=7.68mm	○	○
	20X/NA=0.50, WD=1.96mm	○	○
	40X/NA=0.75, WD=0.78mm	○	○
	40X/NA=0.75, WD=0.78mm (for TB, no correction of slide cover)	○	○
(Oil) 100X/NA=1.3, WD=0.15mm	○	○	
Nosepiece	Backward quintuple nosepiece	●	●
Stage	Rackless (integrated) stage, size: 182mm*140mm, travel range: 77mm*52mm, with two slide holders	●	●
	Stage size: 175mm*145mm. Travel: 78mm*55mm, scale: 0.1mm. With two slide holders	○	○
Condenser	Swing-out condenser NA 0.9/0.13, with iris diaphragm	●	●
	Dark field condenser, dry, apply to 4X-40X objective	○	○
	Dark field condenser, wet, apply to 100X objective	○	○
Focusing	Coaxial coarse and fine focusing knob, coarse focusing travel range: 25mm, coarse stroke 42.4mm/rotation, fine stroke 0.2mm/rotation, fine division: 2μm	●	●

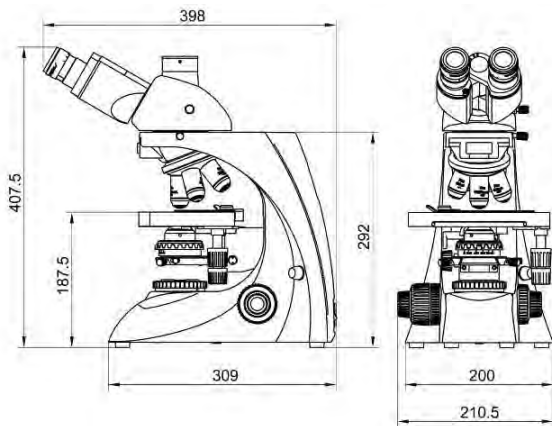
Field Diaphragm	Field diaphragm	●	●
Koebler Illumination	12V/30W Halogen lamp	●	●
	5W LED lamp	○	○
Polarizing Unit	Analyzer and polarizer	○	○
Phase Contrast Unit	Quintuple hole turret unit with 10X/20X/40X/100X phase contrast objective	○	○
	Independent slot with 10X/20X/40X/100X phase contrast objective	○	○
Fluorescent Attachment	B/G Epi fluorescence unit (six-hole disc media which can be fixed with UV/V/B/G and another filters), 100W mercury lamp.	○	○
	UV/V/B/G Epi fluorescence unit (six-hole disc media which can be fixed with UV/V/B/G and another filters), 100W mercury lamp.	○	○
	B/G Epi fluorescence unit (six-hole disc media which can be fixed with UV/V/B/G), 5W-LED fluorescence lamp.	○	○
	UV/V/B/G Epi fluorescence unit (six-hole disc media which can be fixed with UV/V/B/G), 5W-LED fluorescence lamp.	○	○
	B or G fluorescence unit, 5W-LED fluorescence lamp.	○	○
	Auramine long pass fluorescence unit, with 5W LED fluorescence lamp	○	○
	B/G fluorescence unit, 5W-LED fluorescence lamp.	○	○
Video Adapter	0.35X C-mount adapter, adjustable focus		○
	0.5X C-mount adapter, adjustable focus		●
	0.75X C-mount adapter, adjustable focus		○
	1X C-mount adapter, adjustable focus		○
	Trinocular digital eyepiece interface		○
Photo Adapter	Used for CANON / NIKON / OLYMPUS/ SONY DLSR cameras		○
Filter	Blue filter (Φ45)	●	●
	Green filter (Φ45)	○	○
	Amber filter (Φ45)	○	○
Power Supply	Wide voltage input: 100V~240V	●	●
Packing	1 carton/set, Packing Size: 565mm × 310mm × 410mm, Gross Weight: 12 kgs, Net Weight: 10 kgs	●	●

Note: ●Standard Outfit, ○Optional

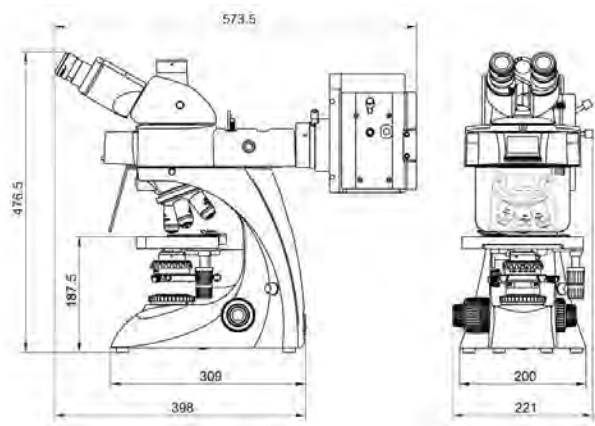
Sample Image



Dimension



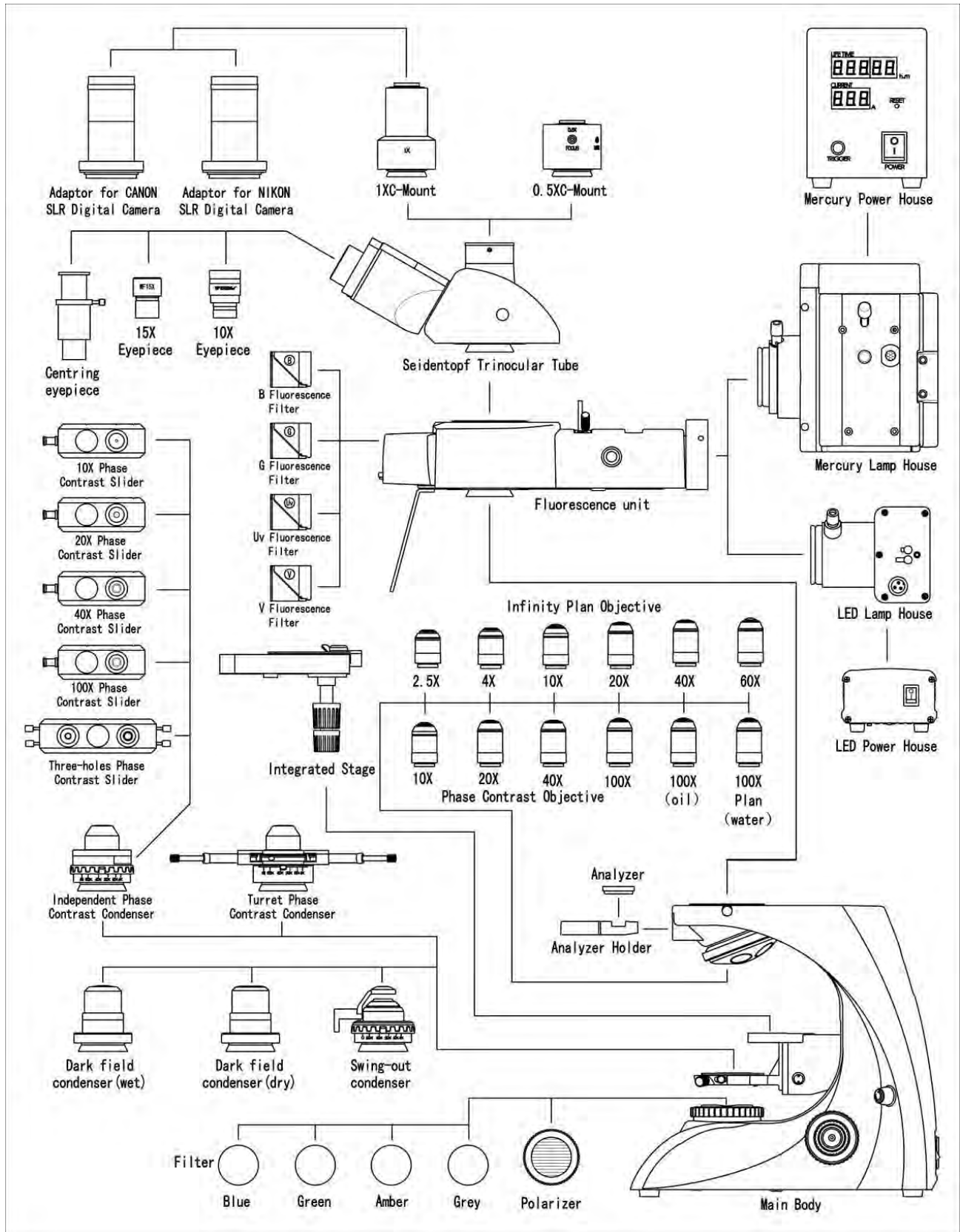
BS-2063T Dimension



BS-2063FT Dimension

Unit: mm

System Diagram



BS-2063F Series LED Fluorescence Microscope



BS-2063FT(LED) with B/G Filter



BS-2063FT(LED) with UV/V/B/G Filter

Introduction

BS-2063F(LED) Series LED Fluorescence Microscope is specifically designed for the daily routine work in the demanding applications of education, pathology investigation, clinical and laboratory usage. Innovative LED as fluorescence illumination source, provide excellent image with easy and comfortable usage experience.

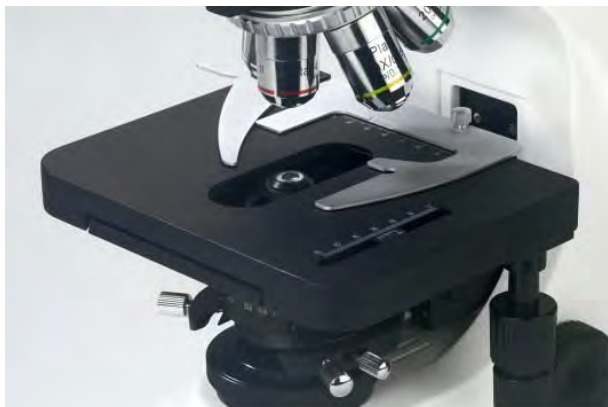
Feature

1. LED fluorescence unit



Six-holes disk fluorescence unit, more fluorescence filters can be supplied.

2. Rackless stage



Rackless wire driven mechanical fixed stage with focus lock is safer than traditional stage.

3. Quintuple turret phase contrast unit



Quintuple turret phase contrast unit with 10X/20X/40X/100X Infinite plan phase contrast objective for phase contrast and bright field observation.

4. Other accessories.



N.A.0.9/0.13 Swing-out Condenser
 Dark field condenser (dry) available to 4X-60X Objective
 Dark field condenser (oil) available to 100X Objective



Infinite Plan Objectives

Specification

Item	Specification	BS-2063FB (LED)	BS-2063FT (LED)
Optical System	Color Corrected Infinite Optical System	•	•
Viewing Head	Inclined 30° binocular tube, 360° rotatable, interpupillary distance: 48-76mm	•	

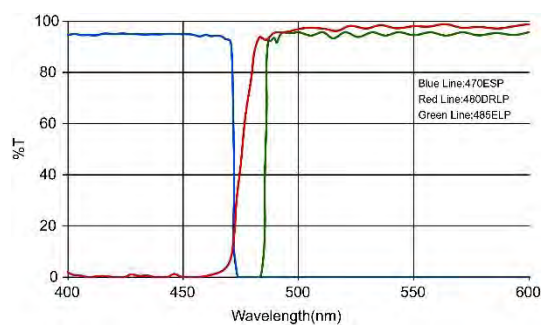
	Inclined 30° trinocular tube, 360° rotatable, interpupillary distance: 48-76mm, splitting ratio: eyepiece: trinocular=100:0 or 20:80		●
Eyepiece	Wide field eyepiece WF10X/22mm, diopter adjustable, tube diameter: 30mm	●	●
	WF15×/16mm, diopter adjustable	○	○
	WF10×/22mm with 0.1mm eyepiece micrometer	○	○
Infinite Plan Achromatic Objective	2X/ NA 0.06	○	○
	4X/ NA 0.10, WD=12.10mm	●	●
	10X/ NA 0.25, WD4.64mm	●	●
	20X/ NA 0.40 (S), WD=2.41mm	●	●
	40X/ NA 0.66 (S), WD=0.65mm	●	●
	60X/ NA 0.80 (S), WD=0.33mm	○	○
	(Oil) 100X/ NA 1.25 (S), WD=0.12mm	●	●
	(Water) 100X/ NA 1.15 (S), WD=0.19mm	○	○
Infinity Plan Semi-Apochromatic Fluorescent Objectives	4X/NA=0.16, WD=17.15mm	○	○
	10X/NA=0.30, WD=7.68mm	○	○
	20X/NA=0.50, WD=1.96mm	○	○
	40X/NA=0.75, WD=0.78mm	○	○
	40X/NA=0.75, WD=0.78mm (for TB, no correction of slide cover)	○	○
	(Oil) 100X/NA=1.3, WD=0.15mm	○	○
Nosepiece	Backward quintuple nosepiece	●	●
Stage	Rackless (integrated) stage, size: 182mm*140mm, travel range: 77mm*52mm, with two slide holders	●	●
	Stage size: 175mm*145mm. Travel: 78mm*55mm, scale: 0.1mm. With two slide holders	○	○
Condenser	Swing-out condenser NA 0.9/0.13, with iris diaphragm	●	●
	Dark field condenser, dry, apply to 4X-40X objective	○	○
	Dark field condenser, wet, apply to 100X objective	○	○
Focusing	Coaxial coarse and fine focusing knob, coarse focusing travel range: 25mm, coarse stroke 42.4mm/rotation, fine stroke 0.2mm/rotation, fine division: 2μm	●	●
Field Diaphragm	Field diaphragm	●	●
Koehler Illumination	12V/30W Halogen lamp	●	●
	5W LED lamp	○	○
Polarizing Unit	Analyzer and polarizer	○	○
Phase Contrast Unit	Quintuple hole turret unit with 10X/20X/40X/100X phase contrast objective	○	○
	Independent slot with 10X/20X/40X/100X phase contrast objective	○	○
Fluorescent Attachment	B/G Epi fluorescence unit (six-hole disc media which can be fixed with UV/V/B/G and another filters), 100W mercury lamp.	○	○
	UV/V/B/G Epi fluorescence unit (six-hole disc media which can be fixed with UV/V/B/G and another filters), 100W mercury lamp.	○	○

	B/G Epi fluorescence unit (six-hole disc media which can be fixed with UV/V/B/G), 5W-LED fluorescence lamp.	●	●
	UV/V/B/G Epi fluorescence unit (six-hole disc media which can be fixed with UV/V/B/G), 5W-LED fluorescence lamp.	○	○
	B or G fluorescence unit, 5W-LED fluorescence lamp.	○	○
	Auramine long pass fluorescence unit, with 5W LED fluorescence lamp	○	○
	B/G fluorescence unit, 5W-LED fluorescence lamp.	○	○
Video Adapter	0.35X C-mount adapter, adjustable focus		○
	0.5X C-mount adapter, adjustable focus		●
	0.75X C-mount adapter, adjustable focus		○
	1X C-mount adapter, adjustable focus		○
	Trinocular digital eyepiece interface		○
Photo Adapter	Used for CANON / NIKON / OLYMPUS/ SONY DLSR cameras		○
Filter	Blue filter (Φ45)	●	●
	Green filter (Φ45)	○	○
	Amber filter (Φ45)	○	○
Power Supply	Wide voltage input: 100V~240V	●	●
Packing	1 carton/set, Packing Size: 755mm×340mm×440mm, Gross Weight: 17 kgs, Net Weight: 15 kgs	●	●

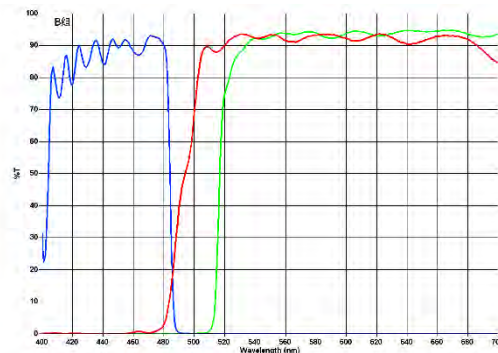
Note: "●" In Table Is Standard outfits, "○" Is Optional Accessories.

Fluorescent filters

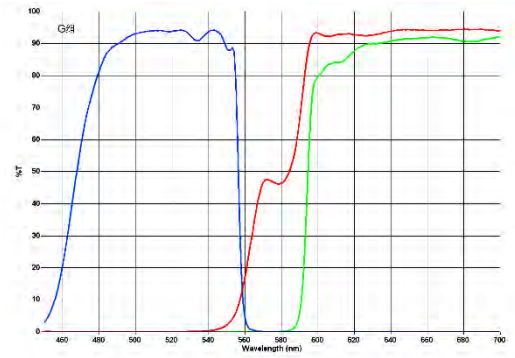
Auramine O	Wavelength (nm)
Exciter	470Sp
Dichroic	480DRLP
Barrier	485LP



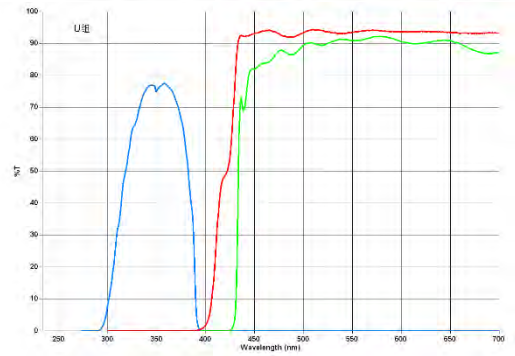
B Excitation	Wavelength (nm)
Exciter	470/37
Dichroic	505LP
Barrier	515LP



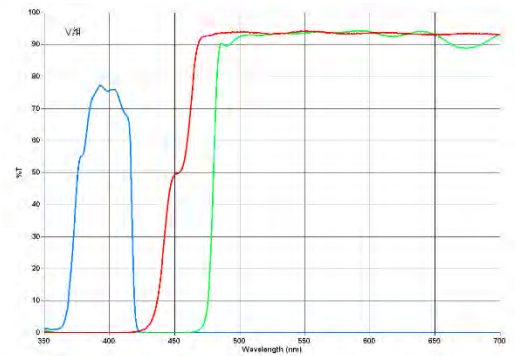
G Excitation	Wavelength (nm)
Exciter	500-550
Dichroic	575
Barrier	590



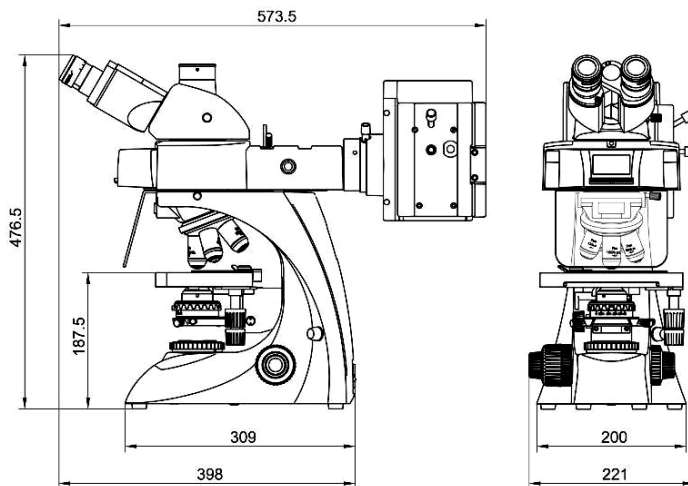
Uv Excitation	Wavelength (nm)
Exciter	330-380
Dichroic	400
Barrier	435



V Excitation	Wavelength (nm)
Exciter	380-420
Dichroic	430
Barrier	460

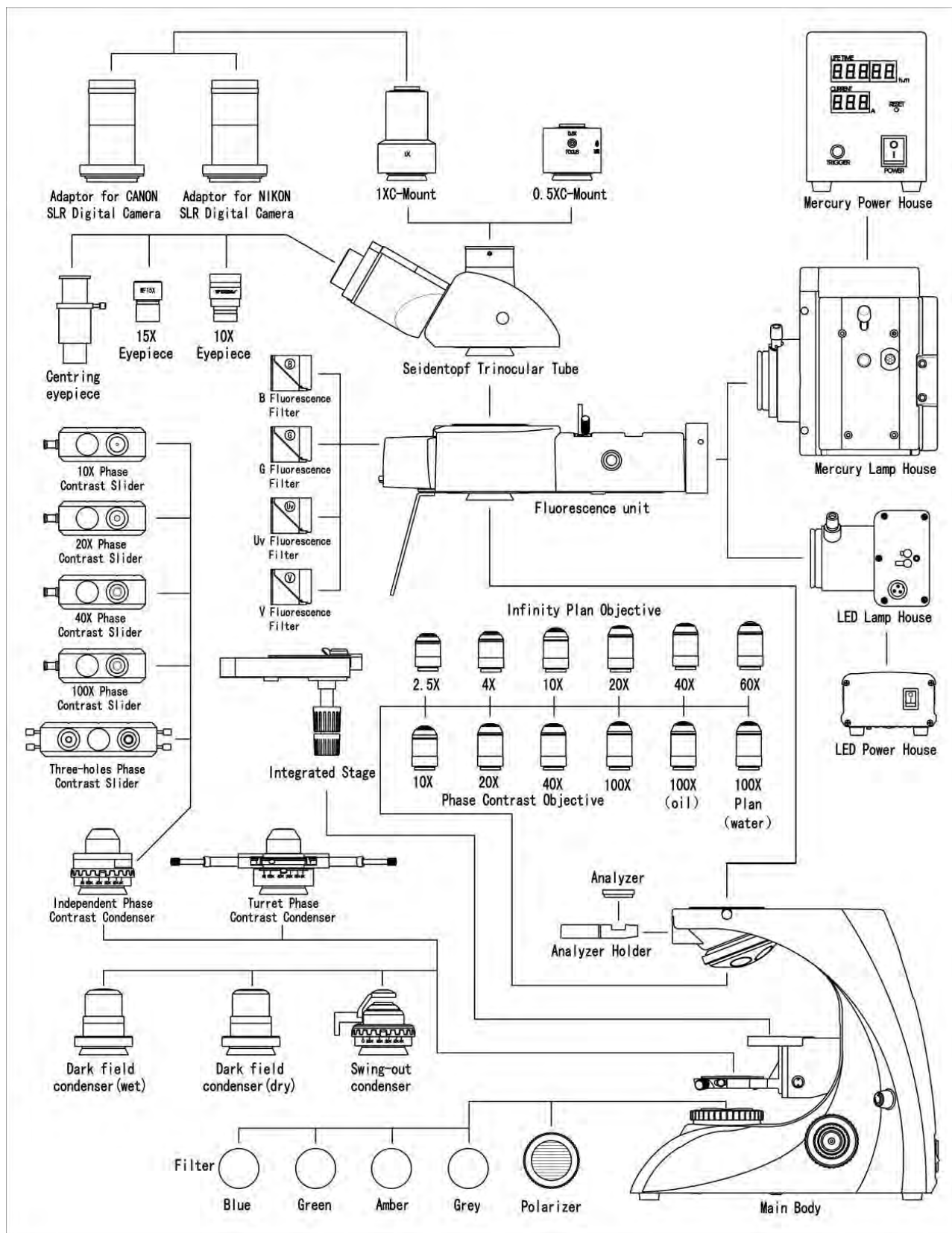


Dimension



Unit: mm

Layout Diagram



BS-2063F2 Series LED Fluorescence Microscope

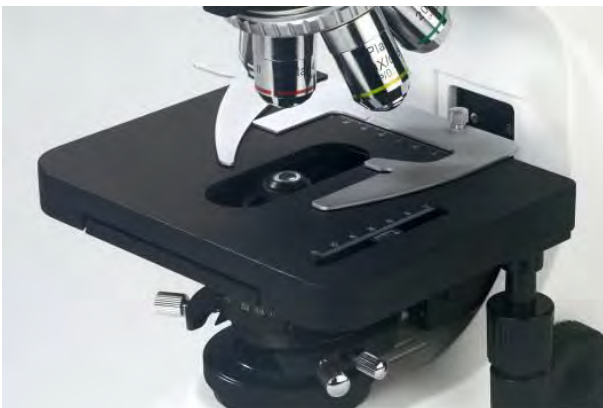
BS-2063F2T(LED)

Introduction

BS-2063F(LED) Series LED Fluorescence Microscope is specifically designed for the daily routine work in the demanding applications of education, pathology investigation, clinical and laboratory usage. Innovative LED as fluorescence illumination source, provide excellent image with easy and comfortable usage experience.

BS-2063F2(LED, TB) Series LED Fluorescence Microscope is a professional solution for tuberculosis test applications with LED fluorescence excitation and transmitted-light brightfield illumination.

If you want to analyze tuberculosis with Ziehl-Neelsen-Staining or if you like to use fluorescence excitation, e.g. with Auramine O dye. BS-2063F2(LED,TB) can simply switch between the two modes.

Feature**1. Rackless stage**

Rackless wire driven mechanical fixed stage with focus lock is safer than traditional stage.

2. Quintuple turret phase contrast unit



Quintuple turret phase contrast unit with 10X/20X/40X/100X Infinite plan phase contrast objective for phase contrast and bright field observation.

3. Other accessories



N.A.0.9/0.13 Swing-out Condenser
 Dark field condenser (dry) available to 4X-60X Objective
 Dark field condenser (oil) available to 100X Objective



Infinite Plan Objectives

Application

BS-2063F(LED) Series LED Fluorescence Microscope is specifically designed for the daily routine work of education, pathology diagnosis, hospital, clinical and laboratory examinations and research.

Specification

BS-2063F2B (LED), BS-2063F2T (LED)

Item	Specification	BS-2063F2B (LED)	BS-2063F2T (LED)
Optical System	Color Corrected Infinite Optical System	●	●
Viewing Head	Inclined 30° binocular tube, 360° rotatable, interpupillary distance: 48-76mm	●	
	Inclined 30° trinocular tube, 360° rotatable, interpupillary distance: 48-76mm, splitting ratio: eyepiece: trinocular=100:0 or 20:80		●
Eyepiece	Wide field eyepiece WF10X/22mm, diopter adjustable, tube diameter: 30mm	●	●
	WF15×/16mm, diopter adjustable	○	○
	WF10×/22mm with 0.1mm eyepiece micrometer	○	○

Infinite Plan Achromatic Objective	2X/ NA 0.06	○	○
	4X/ NA 0.10, WD=12.10mm	●	●
	10X/ NA 0.25, WD4.64mm	●	●
	20X/ NA 0.40 (S), WD=2.41mm	●	●
	40X/ NA 0.66 (S), WD=0.65mm	●	●
	60X/ NA 0.80 (S), WD=0.33mm	○	○
	(Oil) 100X/ NA 1.25 (S), WD=0.12mm	●	●
(Water) 100X/ NA 1.15 (S), WD=0.19mm	○	○	
Infinity Plan Semi-Apochromatic Fluorescent Objectives	4X/NA=0.16, WD=17.15mm	○	○
	10X/NA=0.30, WD=7.68mm	○	○
	20X/NA=0.50, WD=1.96mm	○	○
	40X/NA=0.75, WD=0.78mm	○	○
	40X/NA=0.75, WD=0.78mm (for TB, no correction of slide cover)	○	○
	(Oil) 100X/NA=1.3, WD=0.15mm	○	○
Nosepiece	Backward quintuple nosepiece	●	●
Stage	Rackless (integrated) stage, size: 182mm*140mm, travel range: 77mm*52mm, with two slide holders	●	●
	Stage size: 175mm*145mm. Travel: 78mm*55mm, scale: 0.1mm. With two slide holders	○	○
Condenser	Swing-out condenser NA 0.9/0.13, with iris diaphragm	●	●
	Dark field condenser, dry, apply to 4X-40X objective	○	○
	Dark field condenser, wet, apply to 100X objective	○	○
Focusing	Coaxial coarse and fine focusing knob, coarse focusing travel range: 25mm, coarse stroke 42.4mm/rotation, fine stroke 0.2mm/rotation, fine division: 2μm	●	●
Field Diaphragm	Field diaphragm	●	●
Koehler Illumination	12V/30W Halogen lamp	●	●
	5W LED lamp	○	○
Polarizing Unit	Analyzer and polarizer	○	○
Phase Contrast Unit	Quintuple hole turret unit with 10X/20X/40X/100X phase contrast objective	○	○
	Independent slot with 10X/20X/40X/100X phase contrast objective	○	○
Fluorescent Attachment	B/G Epi fluorescence unit (six-hole disc media which can be fixed with UV/V/B/G and another filters), 100W mercury lamp.	○	○
	UV/V/B/G Epi fluorescence unit (six-hole disc media which can be fixed with UV/V/B/G and another filters), 100W mercury lamp.	○	○
	B/G Epi fluorescence unit (six-hole disc media which can be fixed with UV/V/B/G), 5W-LED fluorescence lamp.	○	○
	UV/V/B/G Epi fluorescence unit (six-hole disc media which can be fixed with UV/V/B/G), 5W-LED fluorescence lamp.	○	○
	B or G fluorescence unit, 5W-LED fluorescence lamp.	●	●
	Auramine long pass fluorescence unit, with 5W LED fluorescence lamp	○	○

	B/G fluorescence unit, 5W-LED fluorescence lamp.	○	○
Video Adapter	0.35X C-mount adapter, adjustable focus		○
	0.5X C-mount adapter, adjustable focus		●
	0.75X C-mount adapter, adjustable focus		○
	1X C-mount adapter, adjustable focus		○
	Trinocular digital eyepiece interface		○
Photo Adapter	Used for CANON / NIKON / OLYMPUS/ SONY DLSR cameras		○
Filter	Blue filter (Φ45)	●	●
	Green filter (Φ45)	○	○
	Amber filter (Φ45)	○	○
Power Supply	Wide voltage input: 100V~240V	●	●
Packing	1 carton/set, Packing Size: 755mm×340mm×440mm, Gross Weight: 17 kgs, Net Weight: 15 kgs	●	●

BS-2063F2B (LED, TB), BS-2063F2T (LED, TB)

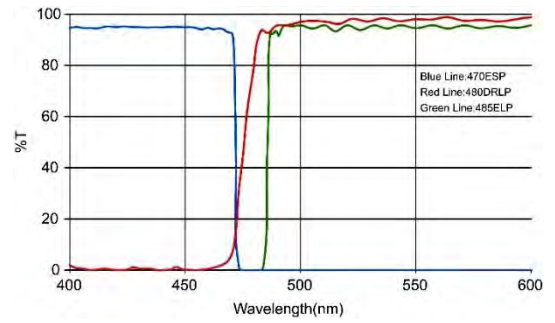
Item	Specification	BS-2063F2B (LED, TB)	BS-2063F2T (LED, TB)
Optical System	Color Corrected Infinite Optical System	●	●
Viewing Head	Inclined 30° binocular tube, 360° rotatable, interpupillary distance: 48-76mm	●	
	Inclined 30° trinocular tube, 360° rotatable, interpupillary distance: 48-76mm, splitting ratio: eyepiece: trinocular=100:0 or 20:80		●
Eyepiece	Wide field eyepiece WF10X/22mm, diopter adjustable, tube diameter: 30mm	●	●
	WF15×/16mm, diopter adjustable	○	○
	WF10×/22mm with 0.1mm eyepiece micrometer	○	○
Infinite Plan Achromatic Objective	2X/ NA 0.06	○	○
	4X/ NA 0.10, WD=12.10mm	●	●
	10X/ NA 0.25, WD4.64mm	●	●
	20X/ NA 0.40 (S), WD=2.41mm	●	●
	40X/ NA 0.66 (S), WD=0.65mm	●	●
	60X/ NA 0.80 (S), WD=0.33mm	○	○
	(Oil) 100X/ NA 1.25 (S), WD=0.12mm	●	●
(Water) 100X/ NA 1.15 (S), WD=0.19mm	○	○	
Infinity Plan Semi- Apochromatic Fluorescent Objectives	4X/NA=0.16, WD=17.15mm	○	○
	10X/NA=0.30, WD=7.68mm	○	○
	20X/NA=0.50, WD=1.96mm	○	○
	40X/NA=0.75, WD=0.78mm	○	○
	40X/NA=0.75, WD=0.78mm (for TB, no correction of slide cover)	○	○
	(Oil) 100X/NA=1.3, WD=0.15mm	○	○
Nosepiece	Backward quintuple nosepiece	●	●

Stage	Rackless (integrated) stage, size: 182mm*140mm, travel range: 77mm*52mm, with two slide holders	●	●
	Stage size: 175mm*145mm. Travel: 78mm*55mm, scale: 0.1mm. With two slide holders	○	○
Condenser	Swing-out condenser NA 0.9/0.13, with iris diaphragm	●	●
	Dark field condenser, dry, apply to 4X-40X objective	○	○
	Dark field condenser, wet, apply to 100X objective	○	○
Focusing	Coaxial coarse and fine focusing knob, coarse focusing travel range: 25mm, coarse stroke 42.4mm/rotation, fine stroke 0.2mm/rotation, fine division: 2μm	●	●
Field Diaphragm	Field diaphragm	●	●
Koehler	12V/30W Halogen lamp	●	●
Illumination	5W LED lamp	○	○
Polarizing Unit	Analyzer and polarizer	○	○
Phase Contrast Unit	Quintuple hole turret unit with 10X/20X/40X/100X phase contrast objective	○	○
	Independent slot with 10X/20X/40X/100X phase contrast objective	○	○
Fluorescent Attachment	B/G Epi fluorescence unit (six-hole disc media which can be fixed with UV/V/B/G and another filters), 100W mercury lamp.	○	○
	UV/V/B/G Epi fluorescence unit (six-hole disc media which can be fixed with UV/V/B/G and another filters), 100W mercury lamp.	○	○
	B/G Epi fluorescence unit (six-hole disc media which can be fixed with UV/V/B/G), 5W-LED fluorescence lamp.	○	○
	UV/V/B/G Epi fluorescence unit (six-hole disc media which can be fixed with UV/V/B/G), 5W-LED fluorescence lamp.	○	○
	B or G fluorescence unit, 5W-LED fluorescence lamp.	○	○
	Auramine long pass fluorescence unit, with 5W LED fluorescence lamp	●	●
	B/G fluorescence unit, 5W-LED fluorescence lamp.	○	○
Video Adapter	0.35X C-mount adapter, adjustable focus		○
	0.5X C-mount adapter, adjustable focus		●
	0.75X C-mount adapter, adjustable focus		○
	1X C-mount adapter, adjustable focus		○
	Trinocular digital eyepiece interface		○
Photo Adapter	Used for CANON / NIKON / OLYMPUS/ SONY DLSR cameras		○
Filter	Blue filter (Φ45)	●	●
	Green filter (Φ45)	○	○
	Amber filter (Φ45)	○	○
Power Supply	Wide voltage input: 100V~240V	●	●
Packing	1 carton/set, Packing Size: 755mm×340mm×440mm, Gross Weight: 17 kgs, Net Weight: 15 kgs	●	●

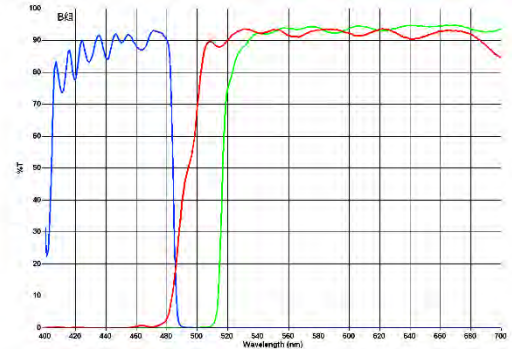
Note: "●" In Table Is Standard outfits, "○" Is Optional Accessories.

Fluorescent filters

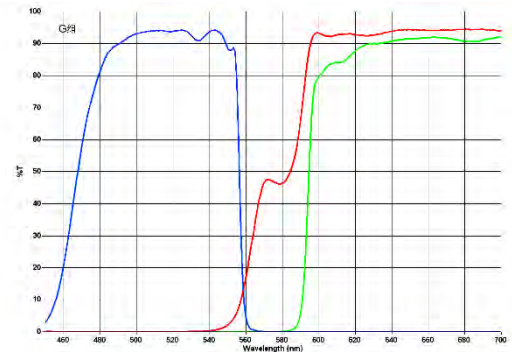
Auramine O	Wavelength (nm)
Exciter	470Sp
Dichroic	480DRLP
Barrier	485LP



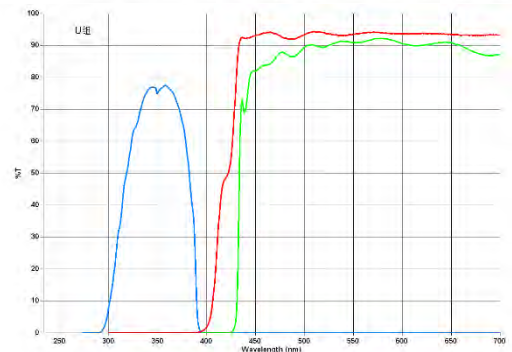
B Excitation	Wavelength (nm)
Exciter	470/37
Dichroic	505LP
Barrier	515LP



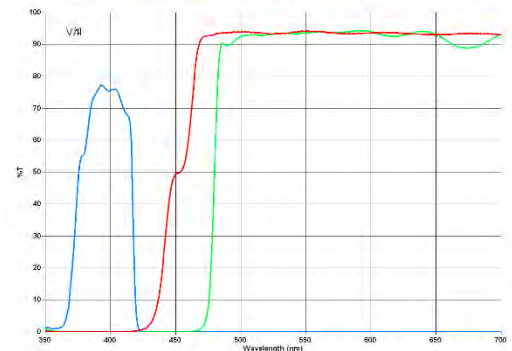
G Excitation	Wavelength (nm)
Exciter	500-550
Dichroic	575
Barrier	590



Uv Excitation	Wavelength (nm)
Exciter	330-380
Dichroic	400
Barrier	435



V Excitation	Wavelength (nm)
Exciter	380-420
Dichroic	430
Barrier	460



BS-2064 Series Biological Microscope



BS-2064B



BS-2064T



BS-2064FB(LED)



BS-2064FT



BS-2064T with Ceramics stage

Introduction

BS-2064 series microscopes are high end microscopes which are specially designed for college education, medical and laboratory teaching and research. With excellent infinity color corrected optical system, new upgraded Koehler illumination system, presents a clear & bright micro-image under each magnification. Ergonomically designed to provide better comfort and experience. The modular design allows for various viewing modes such as brightfield, darkfield, phase contrast, fluorescence and simple polarizing. This series microscopes are widely apply to clinical diagnosis, teaching experiment, pathological test and other micro-fields.

Feature

1. High rigidity body structure



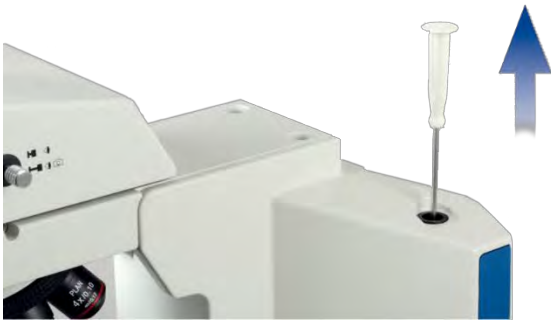
Fire-new designed integrative Y-shaped body, all-metal diecasted under high pressure, High image quality with high stability under every magnification observation. Ensures the test precision of multi-channel fluorescence diagnosis.

2. High precise low position focusing system



Low position high precise coaxial coarse and fine adjustment, with ergonomics design, create the best comfort to operator.

3. Screwdriver storage device



The screwdriver storage device makes full use of the space of the microscope, the screwdriver at fingertips enables users to improve work efficiency.

4. Mechanical stage



(1) Standard 175×145mm right-hand double-layer mechanical stage, damping double slice clamp design, can place two slides at the same time for inspection and comparative analysis.

(2) Optional 150mm×162mm ceramic spray mechanical stage, which is not only wear-resistant and anti-corrosive, but also can reduce platform deformation caused by temperature changes.

(3) Optional 187×166mm super large double-layer mechanical stage, two-way linear rail transmission, left and right hand positions are optional.

5. Safe carrying design



The rear side of the microscope has been designed with a handle position, which makes it safe and easy when carry the whole microscope.

6. Koehler Illumination System



6V 30W transmitted system, presents a bright and uniform field under every magnification. New designed telecentric Koehler illumination system, working with N.A. 1.2/0.22 swing-out achromatic condenser, applies to 2X-100X observation.

7. Disc switching mechanism for filters



Newly designed high-precision disc switching mechanism, is easy to change filters. It guarantees the exact position of the switched filters, can be equipped with six fluorescence filters at most. Selecting driftless high-performance fluorescence filter system, ensures an accurate experiment result of FISH. High transmittance of spectrum without a cross color but a high S/N ratio, promotes dramatically fluorescence imaging contrast. The filter with stray light elimination technology, presents high contrast between image and its background, achieves the best effect of observation.

8. Efficient illumination system

High-graded SiO₂ quartz, with the characteristics of refractory, corrosion-resistant and high UV through rate makes the illumination more uniform and brighter. High temperature resistant composite plastic, with heat insulation, effectively prevent the heat of illuminator from transferring to the body. Alterable field diaphragm with adjustable center, effectively reduce the stray light to obtain the best observation effect.

9. Semi-apochromatic fluorescence objectives

New professional infinity plan semi-apochromatic fluorescence objectives, the best choice for fluorescence observation. Aberration correction and large numerical aperture which is 25% bigger than ordinary objectives, present brighter and clearer image. Adopting high quality environmental protection optical materials, show excellent effect in fluorescence observation. With advanced multi-coating wide-band technology, take the obvious advantages in bandwidth and UV transmittance.

10. High-performance fluorescence filters

High performance fluorescence filters, high spectral transmission, good depth and gradient of spectral lines. No cross color, high S/N ratio, high image contrast. Adopting stray light eliminating technology, high contrast between image and background, creates a perfect observation effect.

11. Power supply for mercury lamp



New digital power control system, displaying operating time and current value, clearly show you the working state of mercury lamp.

Specification

BS-2064B, BS-2064T

Item	Specification	BS-2064B	BS-2064T	
Optical System	Infinity color corrected optical system	●	●	
Eyepiece	High eye point wide field plan eyepiece PL10X/22mm	●	●	
	High eye point wide field plan eyepiece PL10X/22mm, with micrometer	○	○	
	High eye point wide field plan eyepiece PL15X/16mm	○	○	
Viewing Head	30° inclined gemel binocular head, 360° rotatable, interpupillary distance 54-75mm, visual adjustment: ±5 diopter	●		
	30° inclined gemel trinocular head, 360° rotatable, interpupillary distance 54-75mm, visual adjustment: ±5 diopter, splitting ratio binocular: trinocular=100:0 or 50:50		●	
	30° inclined gemel trinocular head, 360° rotatable, interpupillary distance 54-75mm, visual adjustment: ±5 diopter, splitting ratio binocular: trinocular=100:0 or 0:100	○	○	
	5-35° adjustable, erect image, tilting trinocular head, interpupillary distance: 50-76mm, splitting ratio:100:0 or 0:100	○	○	
	30°-60° adjustable, tilting binocular head, 360° rotatable, visual adjustment: ±5 diopter, interpupillary distance: 54-75mm,	○	○	
Objective	Infinity Plan Achromatic Objectives	2X/NA=0.06, WD=5mm. With frosted glass accessories	○	○
		4X/NA=0.1, WD=15mm	●	●
		10X/NA=0.25, WD=10.8mm	●	●
		20X/NA=0.40, WD=1.5mm	●	●
		40X/NA=0.65, WD=0.8mm	●	●
		60X/NA=0.85, WD=0.3mm	○	○

		100X/NA=1.25, WD=0.21mm	●	●
	Infinity Plan Achromatic Phase Contrast Objectives	10X/NA=0.25, WD=10.8mm	○	○
		20X/NA=0.4, WD=1.5mm	○	○
		40X/NA=0.65, WD=0.8mm	○	○
		100X/NA=1.25, WD=0.18mm	○	○
	Infinity Plan Semi-APO Fluorescent Objective	4X/NA=0.13, WD=16.4mm	○	○
		10X/NA=0.3, WD=8.1mm	○	○
		20X/NA=0.5, WD=2.0mm	○	○
		40X/NA=0.75, WD=0.74mm	○	○
	100X/NA=1.28, WD=0.14mm	○	○	
Nosepiece	Inward quintuple nosepiece	●	●	
Stage	175*145mm double layer mechanical stage (X, Y moving hand wheel in right or left hand), detachable, specially processed for corrosion and wear resistance, moving range: 76x50mm, precision: 0.1mm.	●	●	
	150*162mm double layer mechanical stage, moving range: 76x50mm, precision: 0.1mm. Only X-direction wire movement, ceramics coated.	○	○	
	187*166mm double layer mechanical stage (X, Y moving hand wheel in right or left hand), moving range: 80x55mm, precision: 0.1mm. Tension adjustable.	○	○	
Condenser	N.A.1.2/0.22 swing-out type achromatic condenser. Variable aperture with scale indication	●	●	
	N.A.0.9 swing-out type achromatic condenser, for 10X, 20X, 40X, 100X phase contrast observation	○	○	
	N.A.1.25 quintuple phase contrast condenser, for 10X, 20X, 40X, 100X phase contrast observation and 4X-40X black field observation	○	○	
	N.A.0.9 dry dark field condenser	○	○	
	N.A.1.25 oil dark field condenser.	○	○	
Focusing	Coaxial focusing mechanism, coarse range: 30mm, fine precision 2um, with upper limited and tension adjustment. Stage height adjustable	●	●	
Transmitted Illumination	6V 30W halogen lamp house, pre-centered	●	●	
	3W high brightness LED lamp (cool color or warm color, color temperature of cool color is 4750K-5500K, color temperature of warm color is 2850K-3250K)	○	○	
	Long lasting halogen light bulb, 6V 30W	●	●	
Polarizer & Analyzer	Polarizer (Φ45)	○	○	
	360° rotatable polarizer insert	○	○	
	Color sensitive film (λ insert)	○	○	
Filters	Yellow color filter (Φ45)	○	○	
	IF55 filter (Φ45)	○	○	
	LBD filter (Φ45), only for halogen lamps	●	●	
	neutral filter (Φ45)	○	○	
	Attenuation filter (Transmittance 25%)	○	○	
	Attenuation filter (Transmittance 50%)	○	○	
	Frosted glass accessories, for 2X objectives	○	○	

C-mount Adapters	0.35X C-mount adapter, focus adjustable (Not recommended for fluorescence/metallographic/polarizing/multi person viewing)	○	○
	0.5X C-mount adapter, focus adjustable	○	○
	0.65X C-mount adapter, focus adjustable	○	○
	1X C-mount adapter, focus adjustable	○	○
Others	Centering telescope (Φ30)	○	○
	Electronic eyepiece connector	○	○
	High precision micrometer, 0.01mm increment	○	○
	Ordinary micrometer, 0.01mm increment	○	○
	Internal hexagonal Spanner M5	●	●

BS-2064FT, BS-2064FT(LED)

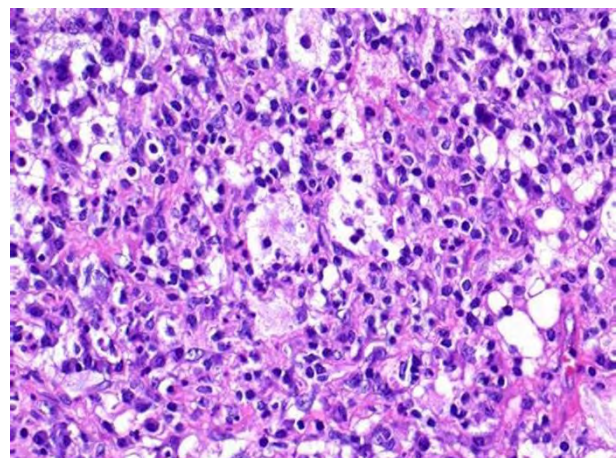
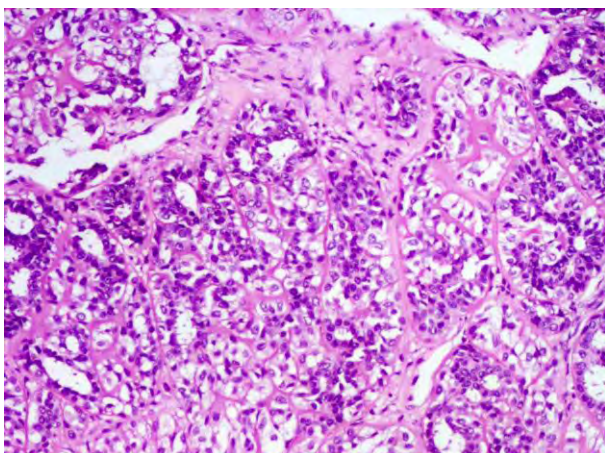
Item	Specification	BS-2064FT	BS-2064FT(LED)	
Optical System	Infinity color corrected optical system	●	●	
Eyepiece	High eye point wide field plan eyepiece PL10X/22mm	●	●	
	High eye point wide field plan eyepiece PL10X/22mm, with micrometer	○	○	
	High eye point wide field plan eyepiece PL15X/16mm	○	○	
Viewing Head	30° inclined gemel binocular head, 360° rotatable, interpupillary distance 54-75mm, visual adjustment: ±5 diopter	○	○	
	30° inclined gemel trinocular head, 360° rotatable, interpupillary distance 54-75mm, visual adjustment: ±5 diopter, splitting ratio binocular: trinocular=100:0 or 50:50	○	○	
	30° inclined gemel trinocular head, 360° rotatable, interpupillary distance 54-75mm, visual adjustment: ±5 diopter, splitting ratio binocular: trinocular=100:0 or 0:100	●	●	
	5-35° adjustable, erect image, tilting trinocular head, interpupillary distance: 50-76mm, splitting ratio:100:0 or 0:100	○	○	
	30°-60° adjustable, tilting binocular head, 360° rotatable, visual adjustment: ±5 diopter, interpupillary distance: 54-75mm,	○	○	
Objective	Infinity Plan Achromatic Objectives	2X/NA=0.06, WD=5mm. With frosted glass accessories	○	○
		4X/NA=0.1, WD=15mm	○	○
		10X/NA=0.25, WD=10.8mm	○	○
		20X/NA=0.40, WD=1.5mm	○	○
		40X/NA=0.65, WD=0.8mm	○	○
		60X/NA=0.85, WD=0.3mm	○	○
		100X/NA=1.25, WD=0.21mm	○	○
	Infinity Plan Achromatic Phase Contrast Objectives	10X/NA=0.25, WD=10.8mm	○	○
		20X/NA=0.4, WD=1.5mm	○	○
		40X/NA=0.65, WD=0.8mm	○	○
		100X/NA=1.25, WD=0.18mm	○	○
	Infinite Plan Semi-APO Fluorescent Objective	4X/NA=0.13, WD=16.4mm	●	●
		10X/NA=0.3, WD=8.1mm	●	●

		20X/NA=0.5, WD=2.0mm	●	●
		40X/NA=0.75, WD=0.74mm	●	●
		100X/NA=1.28, WD=0.14mm	●	●
Nosepiece	Inward quintuple nosepiece		●	●
Stage	175*145mm double layer mechanical stage (X, Y moving hand wheel in right or left hand), detachable, specially processed for corrosion and wear resistance, moving range: 76x50mm, precision: 0.1mm.		●	●
	150*162mm double layer mechanical stage, moving range: 76x50mm, precision: 0.1mm. Only X-direction wire movement, ceramics coated.		○	○
	187*166mm double layer mechanical stage (X, Y moving hand wheel in right or left hand), moving range: 80x55mm, precision: 0.1mm. Tension adjustable.		○	○
Condenser	N.A.1.2/0.22 swing-out type achromatic condenser. Variable aperture with scale indication		●	●
	N.A.0.9 swing-out type achromatic condenser, for 10X, 20X, 40X, 100X phase contrast observation		○	○
	N.A.1.25 quintuple phase contrast condenser, for 10X, 20X, 40X, 100X phase contrast observation and 4X-40X black field observation		○	○
	N.A.0.9 dry dark field condenser		○	○
	N.A.1.25 oil dark field condenser.		○	○
Focusing	Coaxial focusing mechanism, coarse range: 30mm, fine precision 2um, with upper limited and tension adjustment. Stage height adjustable		●	●
Transmitted Illumination	6V 30W halogen lamp house, pre-centered		●	●
	3W high brightness LED lamp (cool color or warm color, color temperature of cool color is 4750K-5500K, color temperature of warm color is 2850K-3250K)		○	○
	Long lasting halogen light bulb, 6V 30W		●	●
Polarizer & Analyzer	Polarizer (Φ45)		○	○
	360° rotatable polarizer insert		○	○
	Color sensitive film (λ insert)		○	○
Filters	Yellow color filter (Φ45)		○	○
	IF55 filter (Φ45)		○	○
	LBD filter (Φ45), only for halogen lamps		●	●
	neutral filter (Φ45)		○	○
	Attenuation filter (Transmittance 25%)		●	○
	Attenuation filter (Transmittance 50%)		○	○
	Frosted glass accessories, for 2X objectives		○	○
Fluorescent Module	Disc-shaped reflective fluorescent illuminator with 6 holes, with variable aperture and field diaphragm, center adjustable, with fluorescence light barrier (BS20640052)		●	
	100W mercury lamp house		●	
	Power box for mercury lamp		●	
	100W mercury lamp bulb (OSRAM)		●	
	100W mercury lamp bulb		○	
	UV1 filter fluorescent module, for BS20640052		●	

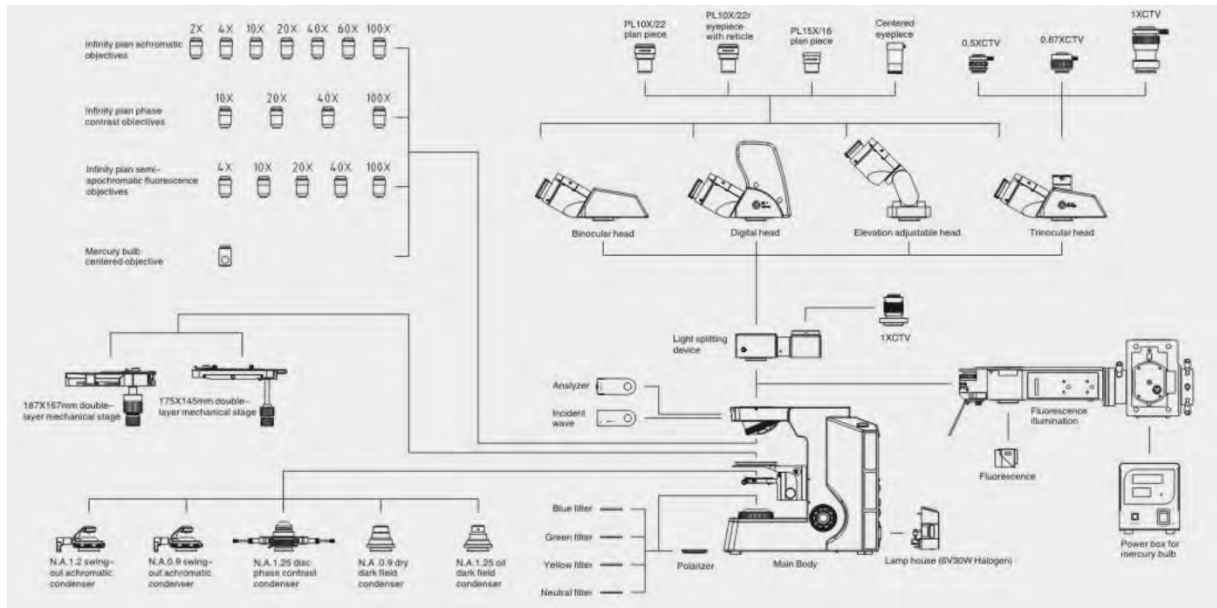
	V1 filter fluorescent module, for BS20640052	○	
	B1 filter fluorescent module, for BS20640052	●	
	G1 filter fluorescent module, for BS20640052	●	
	Four channel LED fluorescent illuminator with fluorescent eye guard, external wide voltage transformer, input 100V-240V, output 6V/2A		●
	B1 band pass filter LED fluorescent module, for LED fluorescent lamp with a center wavelength of 470nm		●
	G1 band pass filter LED fluorescent module, for LED fluorescent lamp with a center wavelength of 560nm		●
	UV1 band pass filter LED fluorescent module, for LED fluorescent lamp with a center wavelength of 385nm		●
	B4 long pass filter LED fluorescent module, for LED fluorescent lamp with a center wavelength of 455nm		○
	External LED fluorescent charging power supply		○
	Fluorescence centering objective	●	○
	Fluorescent free oil 30ml	●	●
C-mount Adapters	0.35X C-mount adapter, focus adjustable (Not recommended for fluorescence/metallographic/polarizing/multi person viewing)	○	○
	0.5X C-mount adapter, focus adjustable	○	○
	0.65X C-mount adapter, focus adjustable	○	○
	1X C-mount adapter, focus adjustable	○	○
Others	Centering telescope (Φ30)		
	Electronic eyepiece connector	○	○
	High precision micrometer, 0.01mm increment	○	○
	Ordinary micrometer, 0.01mm increment	○	○
	Internal hexagonal Spanner M5	●	●

Note: ● Standard Outfit, ○ Optional

Sample Image



System Diagram



Dimension

