

BS-203X Series Biological Microscopes

1. BS-2030 Biological Microscope	2
2. BS-2032 Biological Microscope	5
3. BS-2036 Biological Microscope	12
4. BS-2036F(LED) Fluorescent Biological Microscope	18
5. BS-2036F2(LED) LED Fluorescent Biological Microscope	20
6. BS-2038 Series Biological Microscope	23

1. BS-2030 Series Biological Microscope



BS-2030B



BS-2030T



BS-2030BD

Introduction

With precision machining equipment and advanced alignment technology, BS-2030 series microscopes are classical biological microscopes. These microscopes are widely used in educational, academic, agricultural and study field. With a microscope adapter, a digital camera (or digital eyepiece) can be plug in to the trinocular tube or the eyepiece tube. Rechargeable battery (only for LED illumination) is optional for outdoors operation or places that power supply is not stable.

Feature

1. New machining facility and advanced alignment technology.
2. Comfortable operation with updated and ergonomic design;
3. Compact and flexible, ideally suited for desktop, laboratory worktable;
4. Interpupillary distance can be adjusted to fit for observation;
5. Support Windows Vista / Win 7 / Win8 / Win 10 / Mac Operation System. The software can preview, take photos and video, do image processing and measurement;
6. Support Multi-language (Arabic, Chinese, English, French, German, Japanese, Polish etc.).

Application

This binocular microscope is an ideal instrument in biological, histological, pathological field and can be widely used in medical and sanitary establishments, laboratories, institutes, academic laboratories, colleges and universities.

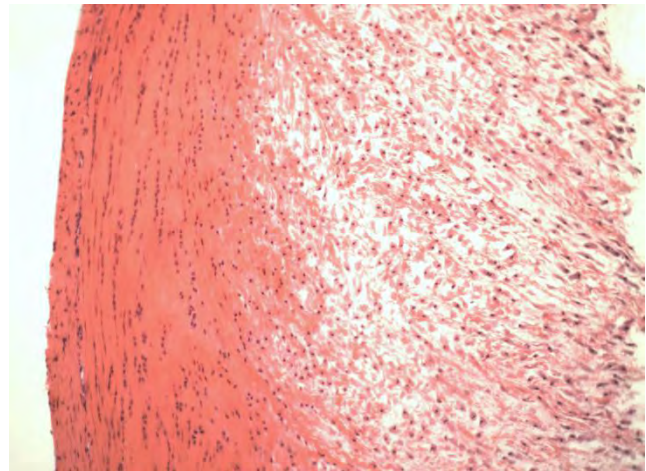
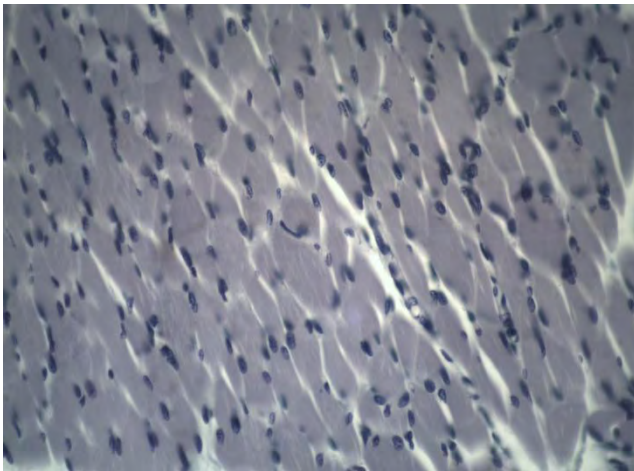
Specification

Item	Specification	BS-2030M	BS-2030B	BS-2030T	BS-2030BD
Viewing Head	Monocular Head Inclined at 45°, 360° Rotatable	●			
	Sliding Binocular Head Inclined at 45°, 360° Rotatable; interpupillary distance 55-75mm.		●		
	Sliding Trinocular Head, inclined at 45° and 360° Rotatable, interpupillary distance 55-75mm			●	
	Seidentopf Binocular Head Inclined at 45°, 360° Rotatable; interpupillary distance 48-75mm.		○		
	Sliding Binocular Head with 1.3MP digital camera, Inclined at 45°, 360° Rotatable; interpupillary distance 55-75mm.				●
	Anti-mould.	○	○	○	○
Eyepiece	Wide Field Eyepiece WF10×/ 18mm	●	●	●	●
	Wide Field Eyepiece WF16×/ 11mm	○	○	○	○
Nosepiece	Quadruple Nosepiece	●	●	●	●
	Quintuple Nosepiece	○	○	○	○
Objective	Achromatic Objective 4×, 10×, 40×, 100×	●	●	●	●
	Achromatic Objective 20×, 60×	○	○	○	○
	Semi-Plan Achromatic Objective 4×, 10×, 20×, 40×, 60×, 100×	○	○	○	○
	Plan Achromatic Objective 4×, 10×, 20×, 40×, 60×, 100×	○	○	○	○
Total magnifications	With 10x eyepiece: 40×, 100×, 400×, 1000×	●	●	●	●
	With 16x eyepiece: 64×, 160×, 640×, 1600×	○	○	○	○
Stage	Double Layer Mechanical Stage 140*140mm, Moving Range 75*50mm. Can hold two slides	●	●	●	●
Focus	Coaxial Coarse & Fine Adjustment, Fine Division 0.002mm, Coarse Stroke 37.7mm per Rotation, Fine Stroke 0.2mm per Rotation, Moving Range 28mm	●	●	●	●
Condenser	Abbe NA 1.25 with Iris Diaphragm & Filter	●	●	●	●
Illumination	1W S-LED Illumination, Brightness Adjustable	●	●	●	●
	6V/20W Halogen light, Brightness Adjustable	○	○	○	○
	Plan-concave Mirror	●	●	●	●
Body / Energy	Firm Aluminum Body and built in power supply 110-240V	●	●	●	●
Supplied with	Dust cover, immersion oil and user manual	●	●	●	●
Polarization Set	Simple Polarization Set	○	○	○	○
Phase Contrast Kit	Simple phase contrast kit	○	○	○	○
	Sliding phase contrast kit	○	○	○	○
	Turret phase contrast kit	○	○	○	○
Dark Field Attachment	Dark Field Attachment (Dry) NA0.9	○	○	○	○
	Dark Field Attachment (Oil) NA1.25-1.36	○	○	○	○
Fluorescent Attachment	YX-2B Fluorescent Attachment	○	○	○	○

Battery	Rechargeable battery (only for LED illumination)	○	○	○	○
Others	0.5×, 1× C-mount adapter (connect camera to the trinocular head)			○	
	0.37×, 0.5×, 0.75×, 1× reduction lens	○	○	○	○
Package	1pc/carton, 33cm×28cm×44cm×, 7kg	●	●	●	●

Note: ●Standard Outfit, ○ Optional

Sample Image



2. BS-2032 Series Biological Microscope



BS-2032

Introduction

Excellent optical system and new structure design, better image resolution and quality, best choice for teaching experiment, medical test and research.

Feature

1. Eyepiece

New high-point plan eyepiece PL10X/18mm. More comfortable, observe conveniently with glasses. Different kinds of micrometer and pointer for option to install.

2. Objectives

All objectives through particularly processing, great effective mold proof and long service time to ensure long-term clearly image.

Item	Magnification	N.A.	Working distance (mm)	Conjugate distance (mm)
Achromatic Objectives	4X	0.10	21.50	195
	10X	0.25	6.30	195
	40X (S)	0.65	0.48	195
	100X (S) (Oil)	1.25	0.15	195

Plan Achromatic Objectives	4X	0.10	17.91	195
	10X	0.25	6.40	195
	40X (S)	0.65	0.65	195
	100X (S) (Oil)	1.25	0.16	195
Infinity Plan Achromatic Objectives	4X	0.10	18.60	∞
	10X	0.25	16.70	∞
	20X	0.45	1.50	∞
	40X (S)	0.65	0.72	∞
	100X (S) (Oil)	1.25	0.18	∞

3. Viewing head



Gemel-type, 30° inclined, 360° rotatable.
Inter-pupillary range: 54-75mm.
Diopter adjustment: ±5.

4. Nosepiece



Reversed quadruple nosepiece (Quintuple for option).
Easy to install and operate objectives. High-precision manufacturing to ensure the system focusing.

5. Stage



Mechanical stage with low position coaxial regulating handles. Stage size: 140mm*132mm or 150mm*140mm. Moving range: 76mm*50mm. Precision: 0.1mm. Damping slice clip can place two slices. Stage with particular processing, effective corrosion-resistant.

6. Focus system



Coaxial coarse and fine adjustment. Low position design, comfortable operation. Focus range: 28mm. Focus precision: 0.002mm.

7. Illumination



Adopt variable voltage (100-240V), 6V/20W halogen bulb. With adjustable brightness too provide full and uniform illumination for various objectives. Option: ultra-high brightness single LED cold light source with long working life.

Application

BS-2032 series microscopes are ideal instrument in biological, histological, pathological, bacteriology, immunizations and pharmacy field and can be widely used in medical and sanitary establishments, laboratories, institutes, academic laboratories, colleges and universities.

Specification

Item	Specification	BS-2032B	BS-2032T
Optical System	Color Corrected Optical System	•	•
Viewing Head	Inclined 30° binocular tube, 360° rotatable, diopter adjustable	•	
	Inclined 30° trinocular tube, 360° rotatable, interpupillary distance: 50-75mm, bilateral diopter adjustment: ±5 diopters, splitting ratio: eyepiece: trinocular=80:20. Infinite.		•
Eyepiece	High eyepoint wide field plan eyepiece PL10X/18mm	•	•
	High eyepoint wide field plan eyepiece PL10X/18mm, with pointer	○	○
	High eyepoint wide field plan eyepiece PL10X/18mm, with micrometer	○	○
	High eyepoint wide field plan eyepiece PL10X/20mm	○	○

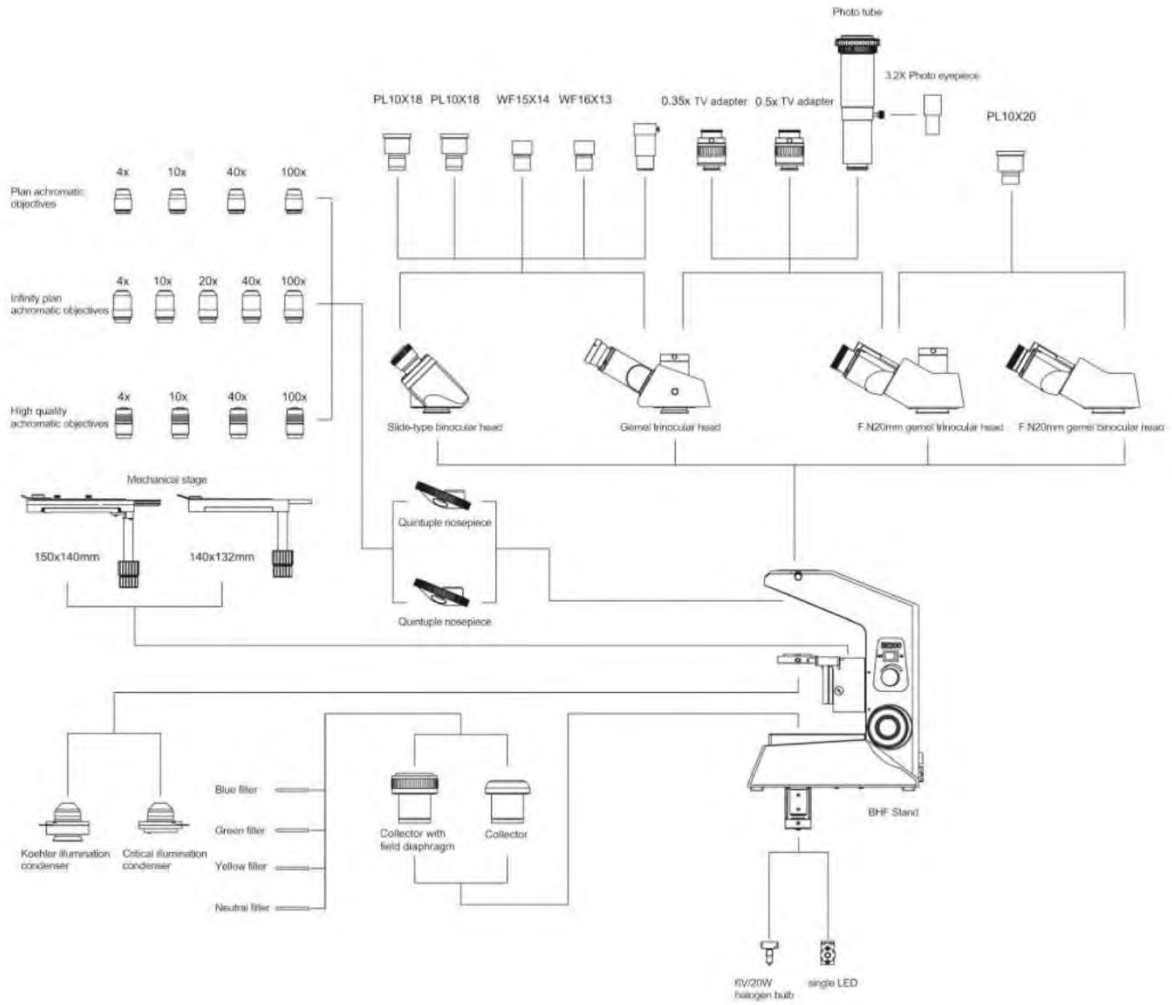
	High eyepoint wide field plan eyepiece PL10X/18mm, diopter adjustable	○	○	
	Wide field plan eyepiece PL15X/13mm	○	○	
	Wide field plan eyepiece PL20X/10mm	○	○	
Objectives	Achromatic Objectives	4X/ NA 0.10, WD=21.50mm	●	●
		10X/ NA 0.25, WD=6.26mm	●	●
		40X (S)/ NA 0.65, WD=0.48mm	●	●
		(Oil) 100X (S)/ NA 1.25, WD=0.15mm	●	●
	Finite Plan Achromatic Objectives	4X/ NA 0.10, WD=15.09mm	○	○
		10X/NA 0.25, WD=8.57mm	○	○
		20X/ NA 0.40, WD=8.72mm	○	○
		40X (S)/ NA 0.65, WD=0.38mm	○	○
		(Oil) 100X (S)/ NA 1.25, WD=0.09mm	○	○
	Infinite Plan Achromatic Objectives	2X/ NA 0.06, WD=5.00mm (should work with forested glass on the condenser)	○	○
		4X/ NA 0.10, WD=15.00mm	○	○
		10X/ NA 0.25, WD=10.80mm	○	○
		20X/ NA 0.40, WD=1.50mm	○	○
		40X/ NA 0.65, WD=0.80mm	○	○
		60X/ NA 0.85, WD=0.30mm	○	○
		100X/ NA 1.25, WD=0.21mm	○	○
Infinite Plan Achromatic Positive Phase Contrast Objectives	10X/ NA 0.25, WD=10.80mm	○	○	
	20X/ NA 0.40, WD=1.50mm	○	○	
	40X/ NA 0.65, WD=0.80mm	○	○	
	100X/ NA 1.25, WD=0.21mm	○	○	
Microscope body, Nosepiece, Stage & Illumination	Low position coaxial coarse and fine focusing system, travel range: 28mm, fine precision: 0.002mm, with elastic adjustment device and upper limit device. Double-layer mechanical stage with center pre-set condenser bracket. Stage size: 140mm*132mm. Travel range: 76mm*50mm, precision: 0.1mm. Inward quadruple nosepiece. Adaptive wide voltage of 100V-240V with integrated power supply switch and continuously adjustable brightness to make the bulb less prone to be broken. Center pre-set 6V/20W halogen lamp (fixed Koehler illumination) with blue filter (Φ45)	●	●	
	Low position coaxial coarse and fine focusing system, travel range: 28mm, fine precision: 0.002mm, with elastic adjustment device and upper limit device. Double-layer mechanical stage with center pre-set condenser bracket. Stage size: 140mm*132mm. Travel range: 76mm*50mm, precision: 0.1mm. Inward quadruple nosepiece. Adaptive wide voltage of 100V-240V with integrated power supply switch and continuously adjustable brightness to make the bulb less prone to be broken. Center pre-set 3W single LED lamp (cold or warm color for option, cold color temperature: 4750K-5500K, warm color temperature: 2850K-3280K) (fixed Koehler illumination)	○	○	

	<p>Low position coaxial coarse and fine focusing system, travel range: 28mm, fine precision: 0.002mm, with elastic adjustment device and upper limit device. Double-layer mechanical stage with center pre-set condenser bracket. Stage size: 150mm*140mm. Travel range: 76mm*50mm, precision: 0.1mm (triangle guideway). Slice clips for two slices. Inward quadruple nosepiece. Adaptive wide voltage of 100V-240V with integrated power supply switch and continuously adjustable brightness to make the bulb less prone to be broken. Center pre-set 3W single LED lamp (cold or warm color for option, cold color temperature: 4750K-5500K, warm color temperature: 2850K-3280K) (fixed Koehler illumination)</p>	<p>○</p>	<p>○</p>
	<p>Low position coaxial coarse and fine focusing system, travel range: 28mm, fine precision: 0.002mm, with elastic adjustment device and upper limit device. Double-layer mechanical stage with center pre-set condenser bracket. Stage size: 140mm*132mm. Travel range: 76mm*50mm, precision: 0.1mm. Inward quintuple nosepiece. Adaptive wide voltage of 100V-240V with integrated power supply switch and continuously adjustable brightness to make the bulb less prone to be broken. Center pre-set 3W single LED lamp (cold or warm color for option, cold color temperature: 4750K-5500K, warm color temperature: 2850K-3280K) (fixed Koehler illumination)</p>	<p>○</p>	<p>○</p>
	<p>Low position coaxial coarse and fine focusing system, travel range: 28mm, fine precision: 0.002mm, with elastic adjustment device and upper limit device. Double-layer mechanical stage with center pre-set condenser bracket for infinite optical system. Stage size: 140mm*132mm. Travel range: 76mm*50mm, precision: 0.1mm. Inward quadruple nosepiece. Adaptive wide voltage of 100V-240V with integrated power supply switch and continuously adjustable brightness to make the bulb less prone to be broken. Center pre-set 3W single LED lamp (cold or warm color for option, cold color temperature: 4750K-5500K, warm color temperature: 2850K-3280K) (fixed Koehler illumination)</p>	<p>○</p>	<p>○</p>
	<p>Low position coaxial coarse and fine focusing system, travel range: 28mm, fine precision: 0.002mm, with elastic adjustment device and upper limit device. Double-layer mechanical stage with center pre-set condenser bracket for infinite optical system. Stage size: 150mm*140mm. Travel range: 76mm*50mm, precision: 0.1mm (triangle guideway). Slice clips for two slices. Inward quadruple nosepiece. Adaptive wide voltage of 100V-240V with integrated power supply switch and continuously adjustable brightness to make the bulb less prone to be broken. Center pre-set 3W single LED lamp (cold or warm color for option, cold color temperature: 4750K-5500K, warm color temperature: 2850K-3280K) (fixed Koehler illumination)</p>	<p>○</p>	<p>○</p>
	<p>Low position coaxial coarse and fine focusing system, travel range: 28mm, fine precision: 0.002mm, with elastic adjustment device and upper limit device. Double-layer mechanical stage with center pre-set condenser bracket for infinite optical system. Stage size: 140mm*132mm. Travel range: 76mm*50mm, precision: 0.1mm. Inward quintuple nosepiece. Adaptive wide voltage of 100V-240V with integrated power supply switch and continuously adjustable brightness to make the bulb less prone to be broken. Center pre-set 3W single LED lamp (cold or warm color for</p>	<p>○</p>	<p>○</p>

	option, cold color temperature: 4750K-5500K, warm color temperature: 2850K-3280K) (fixed Koehler illumination), with field diaphragm.		
Condenser	Abbe condenser NA 1.25 with interface for phase contrast and dark field plug-in plates, center pre-set, lifting with gears. (fixed Koehler illumination)	●	●
	Abbe condenser NA 1.25 with interface for phase contrast and dark field plug-in plates, center adjustable, lifting with gears.	○	○
Polarizer & Analyzer	Polarizer (Φ45)	○	○
	Analyzer	○	○
Reflector	Reflector	○	○
Filter	Forested glass accessories (used with 2X Infinity Plan Achromatic Objective)	○	○
	Blue filter (Φ45)	○	○
	Yellow filter (Φ45)	○	○
	Green filter (Φ45)	○	○
	Neutral filter (Φ45)	○	○
Dark Field Unit	Dark field unit, for 4X-40X objectives with Koehler illumination	○	○
Phase Contrast Unit	Phase contrast plug set, for 10X, 40X phase contrast objectives (finite)	○	○
	Phase contrast plug set, for 20X, 100X phase contrast objectives (finite)	○	○
	Phase contrast plug set, for 10X, 40X phase contrast objectives (infinite)	○	○
	Phase contrast plug set, for 20X, 100X phase contrast objectives (infinite)	○	○
Adapter	0.35X C-mount adapter, focus adjustable	○	○
	0.5X C-mount adapter, focus adjustable	○	○
	0.65X C-mount adapter, focus adjustable	○	○
	1X C-mount adapter, focus adjustable	○	○
	Digital eyepiece interface	○	○
Others	Centering telescope (Φ23.2)	○	○
	Micrometer for eyepieces, precision: 0.1mm	○	○
	Reticle for eyepieces	○	○
	Micrometer, precision: 0.01mm	○	○
	Internal hexagonal spanner M3	○	○
	Internal hexagonal spanner M4	○	○
Package	Paper box with pearl cotton	●	●

Note: ●Standard Outfit, ○Optional

System Diagram



3. BS-2036 Series Biological Microscope



BS-2036A/B/C/D



BS-2036AT/BT/CT/DT

Introduction

BS-2036 series microscopes are middle level microscopes which are specially designed for college education, medical and laboratory study. They adopt high quality optical system, beautiful structure and ergonomic design. With an innovative optical and structure design idea, excellent optical performance and easy to operate system, these biological microscopes make your works enjoyable.

Feature

1. Excellent optical system

Excellent optical system, outstanding image quality with high resolution and definition.

2. Ergonomic design

Comfortable operating with ergonomic design. Back handle and observing hole convenient for carry and operation.

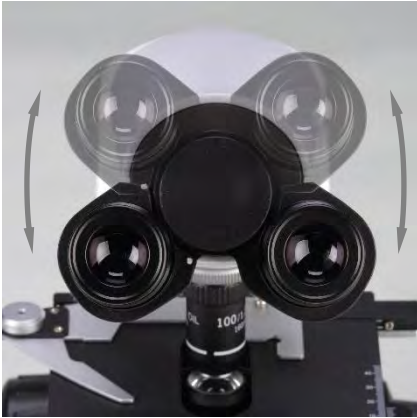
3. Unique aspheric illumination system

Unique aspheric illumination system, provide bright and comfortable lighting.

4. Color for optional

White color is standard, blue color is optional for lively environment and happy mood.

5. Viewing head



Brand new and humanized butterfly binocular head-tubes can be 360° rotated to raise observing height 44mm than normal tubes to be more convenient for users with different height.

6. Power supply



Built-in LED illumination system which can be powered with power bank, laptop and vehicle power supply ensures being used anywhere and any condition

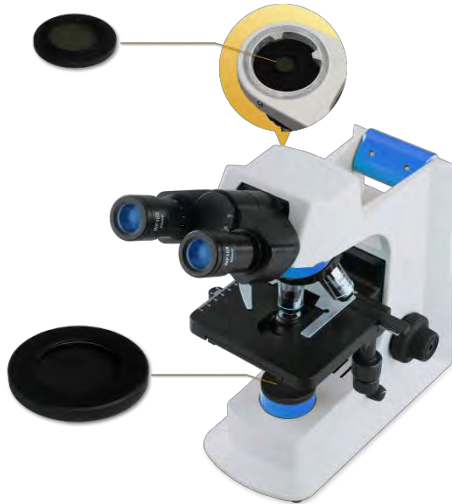
7. Various accessories for upgrading



Wire winding device convenient for carry and storage (optional).



Phase contrast unit, independent phase contrast unit (optional, apply to infinite optical system).



Simple polarizing unit with polarizer and analyzer (optional).



Dry DF Condenser



Oil DF Condenser

Dry / Oil Dark Field Condenser (optional).

Fluorescent attachment (optional, with LED or mercury light source)



BS-2036FB(LED) with UV/V/B/G Filter



BS-2036FB(LED) with B/G Filter



BS-2036FB



BS-2036F2B(LED)



BS-2036F2T(LED)

Application

BS-2036 series microscopes are ideal instrument in biological, histological, pathological, bacteriology, immunizations and pharmacy field and can be widely used in medical and sanitary establishments, laboratories, institutes, academic laboratories, colleges and universities.

Specification

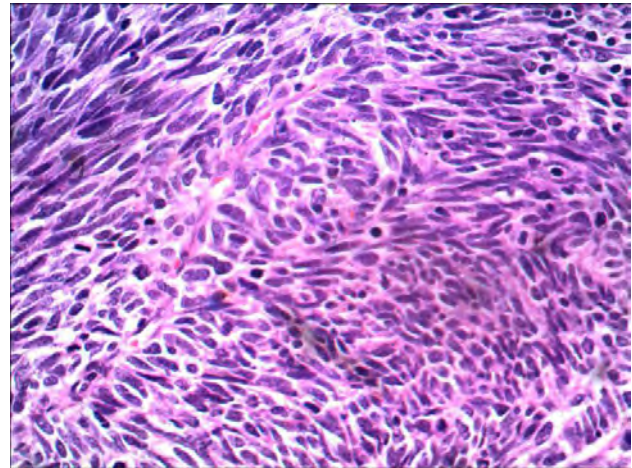
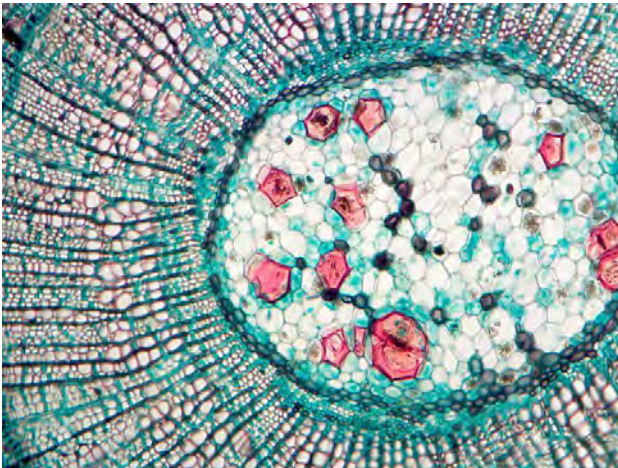
Item	Specification	BS-2036A	BS-2036B	BS-2036C	BS-2036D
Optical System	Finite Optical System	●	●		
	Infinite Optical System			●	●
Viewing Head	Inclined 30° binocular tube, 360° rotatable, interpupillary distance: 48-75mm	●	●	●	●
	Inclined 30° trinocular tube, 360° rotatable, interpupillary distance: 48-75mm, splitting ratio: eyepiece: trinocular=20:80	○	○	○	○
Eyepiece	Wide field eyepiece WF10X/18mm	●			
	High eyepoint wide field eyepiece WF10X/20mm		●	●	●
	WF16X/13mm	○	○	○	○
	Reticule eyepiece WF10X/18mm (0.1mm)	○			
	Reticule eyepiece WF10X/20mm (0.1mm)		○	○	○
Achromatic Objective	4X, 10X, 40X(S), 100X/NA 1.25 (Oil) (S)	●			
	20X, 60X (S)	○			
Plan Achromatic Objective	4X, 10X, 40X/NA 0.65 (S), 100X/NA 1.25 (Oil) (S)		●		
	20X, 60X (S)		○		
Infinite Achromatic Objective	E-Plan 4X, 10X, 40X (S), 100X (Oil) (S)			●	
	Plan 4X, 10X, 40X (S), 100X (Oil) (S)				●
	Plan 20X, 60X (S), 100X (Water) (S)			○	○
Infinity Plan Semi-Apochromatic Fluorescent Objectives	4X/NA=0.16, WD=17.15mm			○	○
	10X/NA=0.30, WD=7.68mm			○	○
	20X/NA=0.50, WD=1.96mm			○	○
	40X/NA=0.75, WD=0.78mm			○	○
	40X/NA=0.75, WD=0.78mm (for TB, no correction of slide cover)			○	○
	(Oil) 100X/NA=1.3, WD=0.15mm			○	○
Nosepiece	Backward Quadruple Nosepiece	●	●	●	●
	Backward Quintuple Nosepiece	○	○	○	○
Focusing	Coaxial coarse & fine focusing knobs, travel range: 26mm, Scale:2um	●	●	●	●
Stage	Double layers mechanical stage, size: 145mm*140mm, cross travel 76mm*52mm, scale 0.1mm, two slide holders	●	●	●	●
	Rackless double layers mechanical stage, size:	○	○	○	○

	140mm*135mm, cross travel 75mm*35mm, scale 0.1mm, two slide holders				
Condenser	Abbe condenser NA1.25 with iris diaphragm	●	●	●	●
Illumination	3W LED lamp, brightness adjustable	●	●	●	●
	12V/20W Halogen lamp, brightness adjustable	○	○	○	○
	12V/30W Halogen lamp, brightness adjustable	○	○	○	○
Field Diaphragm	Field diaphragm	○	○	○	○
Dark Field Condenser	N.A.0.9 (Dry) Dark field condenser (for 10X-40X objectives)	○	○	○	○
	N.A.1.3 (Oil) Dark field condenser (for 100X objective)	○	○	○	○
Polarizing Set	Analyzer and Polarizer	○	○	○	○
Independent Phase Contrast Unit	Infinite Plan Phase Contrast 10X			○	○
	Infinite Plan Phase Contrast 20X			○	○
	Infinite Plan Phase Contrast 40X			○	○
	Infinite Plan Phase Contrast 100X			○	○
	Phase contrast slide			○	○
	Condenser			○	○
	Telescope			○	○
	Green filter			○	○
Fluorescence Attachment	B/G Epi fluorescence unit (six-hole disc media which can be fixed with UV/V/B/G and another filters), 100W mercury lamp.			○	○
	UV/V/B/G Epi fluorescence unit (six-hole disc media which can be fixed with UV/V/B/G and another filters), 100W mercury lamp.			○	○
	B/G Epi fluorescence unit (six-hole disc media which can be fixed with UV/V/B/G), 5W-LED fluorescence lamp.			○	○
	UV/V/B/G Epi fluorescence unit (six-hole disc media which can be fixed with UV/V/B/G), 5W-LED fluorescence lamp.			○	○
	B or G fluorescence unit, 5W-LED fluorescence lamp.			○	○
	Auramine long pass fluorescence unit, with 5W LED fluorescence lamp			○	○
	B/G fluorescence unit, 5W-LED fluorescence lamp.			○	○
Filter	Blue filter (Φ45)	○	○	○	○
	Green filter (Φ45)	○	○	○	○
	Yellow filter (Φ45)	○	○	○	○
Photo Adapter	Used to Connect Nikon/Canon/Sony/Olympus DSLR camera to the microscope	○	○	○	○
Video Adapter	0.5X C-mount adapter, adjustable focus	○	○	○	○
	0.75X C-mount adapter, adjustable focus	○	○	○	○
	1X C-mount adapter, adjustable focus	○	○	○	○

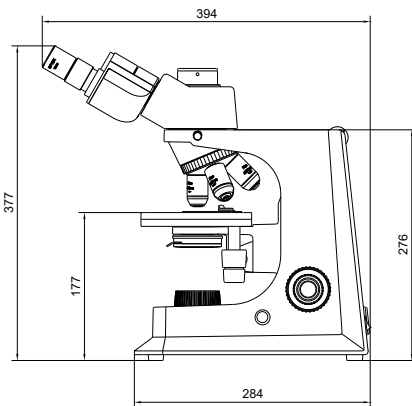
	Trinocular digital eyepiece interface	○	○	○	○
Mirror	Reflect Mirror	○	○	○	○
Cable Winding Device	Used to wind cable on back of the microscope	○	○	○	○
Rechargeable Battery	3pcs AA rechargeable Nickel-metal hydride battery	○	○	○	○
Package	1pc/carton, 42cm*28cm*45cm, Gross Weight 8kg, Net Weight 6.5kg	○	○	○	○

Note: ●Standard Outfit, ○Optional

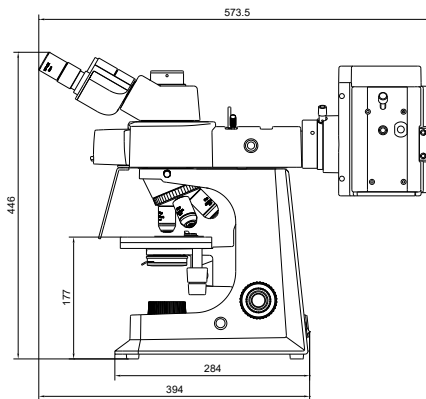
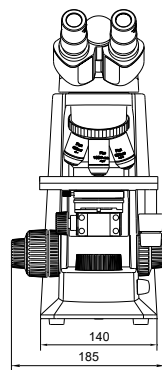
Sample Images



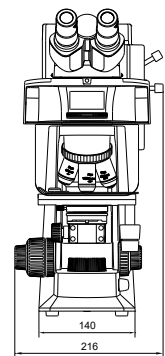
Dimension



BS-2036AT/BT/CT/DT



BS-2036FT



Unit: mm

4. BS-2036F Series (LED) Fluorescent Biological Microscope



BS-2036FB(LED)



BS-2036FT(LED)

Introduction

BS-2036F(LED) Series LED fluorescence microscopes are newly developed microscopes, the microscopes use LED as the light source, the life span of the LED lamp is much longer than mercury lamp, the performance is also better. It has 6 turret positions for filter cubes, more filter cubes can be used without change the blocks.

Features

1. Excellent fluorescent image with infinite optical system.
2. LED illumination with 50,000 hours life span.
3. Convenient to use, no need warm-up.
4. No need for cooling due to LED cold light source.
5. 6 positions for filter cubes.

Application

BS-2036F(LED) series LED Fluorescence microscopes are used to study the absorbing, transportation, chemicals distribution and positioning in cells. They are widely used in disease examination, immune diagnosis and life science areas.

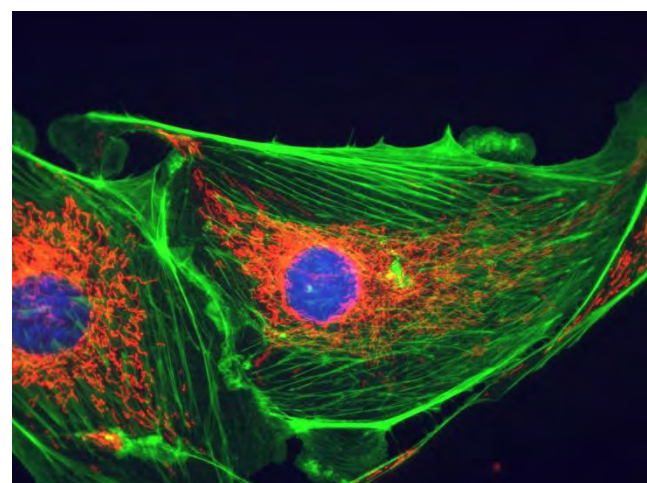
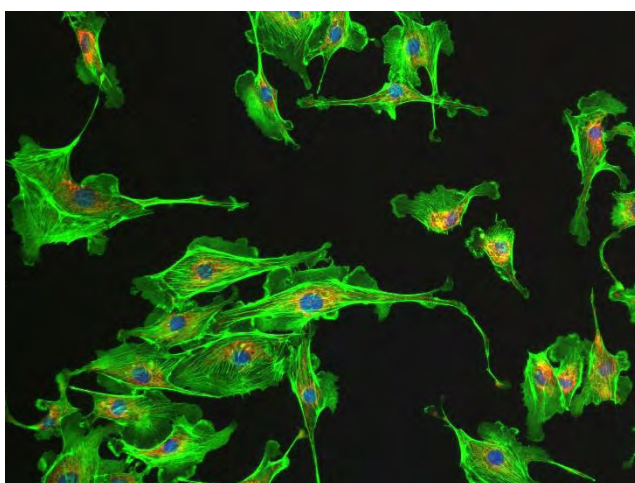
Specifications

Item	Specification	BS-2036 FB(LED)	BS-2036 FT(LED)
Optical System	Infinite Optical System	•	•
Viewing Head	Seidentopf Binocular Viewing Head, Inclined at 30°, 360° Rotatable, Interpupillary 50-75mm	•	
	Seidentopf Trinocular Viewing Head, Inclined at 30°, 360° Rotatable, Interpupillary 50-75mm		•
	Seidentopf Binocular/Trinocular Viewing Head, Inclined at 30°, 360° Rotatable,	○	○

	Interpupillary 48-75mm					
Eyepiece	WF10×/20mm	●	●			
	WF16×/13mm	○	○			
	Reticule Eyepiece WF10×/20mm (0.1mm)	○	○			
Objective	Infinite E-Plan Achromatic Objective 4×, 10×, 40×, 100×(Oil)	●	●			
	Infinite Plan Achromatic Objective 4×, 10×, 20×, 40× (S), 60× (S), 100× (Oil) (S)	○	○			
Nosepiece	Backward Quadruple Nosepiece	●	●			
	Backward Quintuple Nosepiece	○	○			
Focusing	Coaxial Coarse & Fine Focusing knobs, Travel Range: 26mm, Scale:2um	●	●			
Stage	Stage Size: 145×140mm, Cross Travel 76×52mm, Two Slide Holder	●	●			
	Rackless Double Layers Mechanical Stage, Size: 182×140mm, Cross Travel 77×33mm, Two Slide Holder	○	○			
Condenser	Abbe Condenser NA1.25 with Iris Diaphragm	●	●			
Transmitted Illumination	12V/20W Halogen Lamp, Brightness Adjustable	●	●			
	12V/30W Halogen Lamp, Brightness Adjustable	○	○			
	3W-LED Illumination Systems (non-rechargeable), Brightness Adjustable	○	○			
	0.3W-LED Illumination Systems (Rechargeable), Brightness Adjustable	○	○			
Optional Accessories	Field Diaphragm, Photo adapters(for DSLR cameras), Video adapters(1X, 0.5X), Polarization set, Phase contrast kit, filters, mirror, Cable Winding Device	○	○			
Reflected Light Source		Excitation	Dichroic Mirror	Barrier Filter		
	Blue excitation	420-490	505	520	●	●
	Green excitation	500-550	575	590	●	●
	Ultraviolet Excitation	330-380	400	435	○	○
	Violet Excitation	380-420	430	460	○	○
Fluorescent Lamp	3W LED Lamp	●	●			
Package	42cm*28cm*45cm, 40cm*20cm*40cm, 12kg	●	●			

Note: ●Standard Outfit, ○Optional

Sample Images



5. BS-2036F2 Series (LED) Fluorescent Biological Microscope



BS-2036F2B (LED)



BS-2036F2T (LED)

Introduction

BS-2036F2(LED) Series LED fluorescence microscopes are newly developed microscopes, the microscopes use LED as the light source, the life span of the LED lamp is much longer than mercury lamp, the performance is also better. It has 2 positions for filter cubes, the fluorescent light source can be automatically changed after you change the fluorescent filter.

Features

1. Excellent fluorescent image with infinite optical system.
2. LED illumination with 50,000 hours life span.
3. Convenient to use, no need warm-up.
4. No need for cooling due to LED cold light source.
5. 2 positions for filter cubes, compact and take small space.

Application

BS-2036F2(LED) series LED Fluorescence microscopes are used to study the absorbing, transportation, chemicals distribution and positioning in cells. They are widely used in disease examination, immune diagnosis and life science areas in Medical colleges, universities, hospitals and clinics.

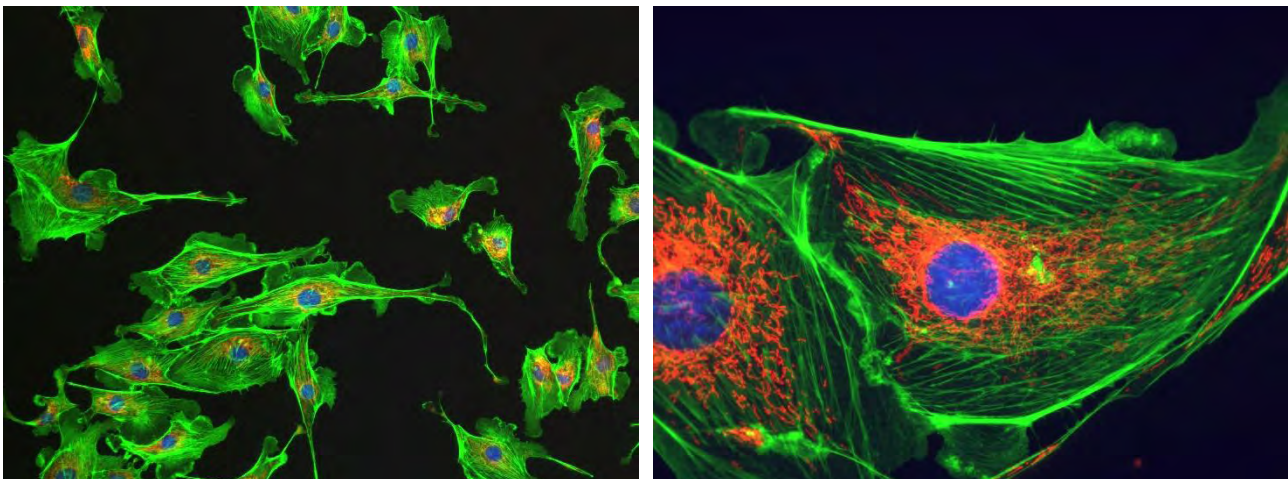
Specifications

Item	Specification	BS-2036 F2B(LED)	BS-2036 F2T(LED)
Optical System	Infinite Optical System	•	•
Viewing Head	Seidentopf Binocular Viewing Head, Inclined at 30°, 360° Rotatable, Interpupillary 48-75mm	•	
	Seidentopf Trinocular Viewing Head, Inclined at 30°, 360° Rotatable, Interpupillary 48-75mm, Light Distribution 20:80		•

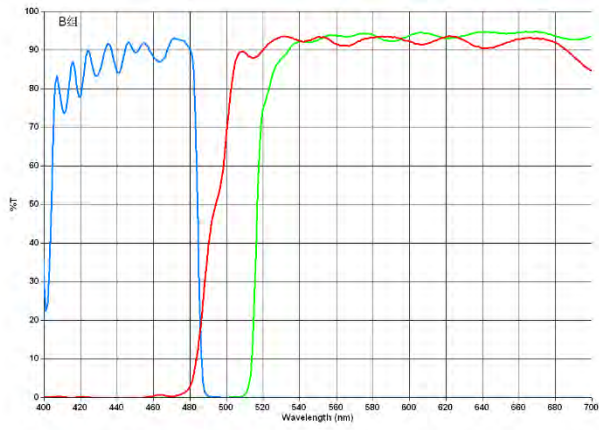
Eyepiece	WF10×/20mm				●	●
	WF16×/13mm				○	○
	Reticule Eyepiece WF10×/20mm (0.1mm)				○	○
Objective	Infinite Plan Achromatic Objective 4×, 10×, 40×, 100×(Oil)				●	●
	Infinite Plan Achromatic Objective 20×, 60× (S), 100× (Dry, S)				○	○
	Infinite UPlan fluorescent objective 10×, 20×, 40×, 100×				○	○
Nosepiece	Backward Quadruple Nosepiece				●	●
	Backward Quintuple Nosepiece				○	○
Focusing	Coaxial Coarse & Fine Focusing knobs, Travel Range: 26mm, Scale:2um				●	●
Stage	Stage Size: 145×140mm, Cross Travel 76×52mm, Scale0.1mm, Two Slide Holder				●	●
	Rackless Double Layers Mechanical Stage, Size: 140×135mm, Cross Travel 75×35mm, Scale0.1mm, Two Slide Holder				○	○
Condenser	Abbe Condenser NA1.25 with Iris Diaphragm				●	●
Transmitted Illumination	3W-LED Illumination, Brightness Adjustable				●	●
	12V/20W Halogen Lamp, Brightness Adjustable				○	○
	12V/30W Halogen Lamp, Brightness Adjustable				○	○
Fluorescence Attachment	Epi fluorescence unit (2 positions for Uv /V/B/G fluorescent filters), 5W-LED fluorescence lamp				●	●
Fluorescent filters		Excitation	Dichroic Mirror	Barrier Filter		
	Blue excitation	420-490	505	520	●	●
	Green excitation	500-550	575	590	●	●
	Ultraviolet Excitation	330-380	400	435	○	○
	Violet Excitation	380-420	430	460	○	○
Filter	Blue /Green /Yellow				○	○
Optional Accessories	Field Diaphragm, Photo adapters(for DSLR cameras), Video adapters(1X, 0.5X), Polarization set, Phase contrast kit, mirror, Cable Winding Device				○	○
Package	42cm*28cm*45cm, 40cm*20cm*40cm, 12kg				●	●

Note: ●Standard Outfit, ○Optional

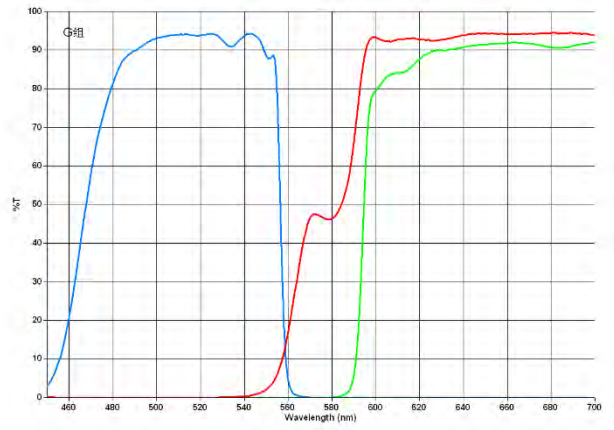
Sample Images



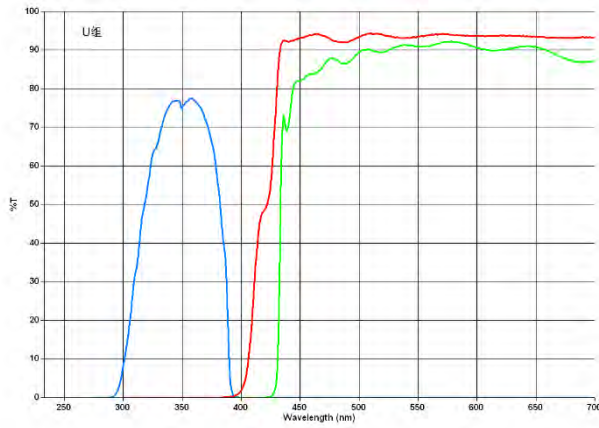
Fluorescent Filters



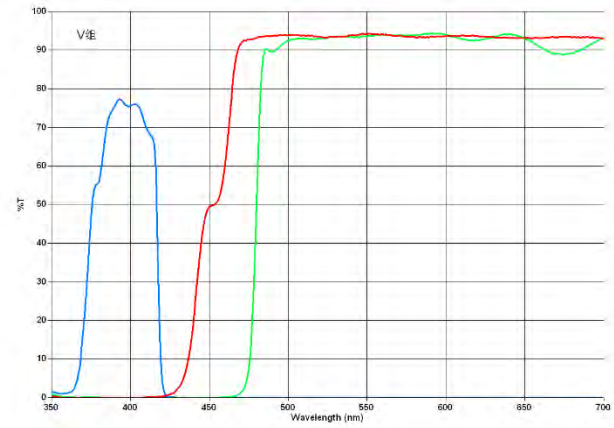
Blue



Green



UV



V

6. BS-2038 Series Biological Microscope



BS-2038B1/B2



BS-2038T1/T2

Introduction

BS-2038 series microscopes are specially designed for college education, medical and laboratory study. They adopt Infinite optical system, beautiful structure and ergonomic design. With an innovative optical and structure design, excellent optical performance and easy to operate system, these biological microscopes make your works enjoyable.

Feature

1. Perfect optical system

Excellent infinite optical system with high resolution and perfect definition. High resolution and perfect definition from infinity correct optical system. 100X water objective is available for convenient viewing.

2. Perfect ergonomics design

Comfortable operating with ergonomic design. Low position operation, convenient for long-term using. New wound device for cable, easy to move and keeping. The changing of objectives can be watched by back side through the back watching window.



3. Perfect appearance design

Drop-style integrated appearance design, looks elegant.

4. Viewing head



Brand new and humanized butterfly binocular head-tubes can be 360° rotated to raise observing height 44mm than normal tubes to be more convenient for users with different height.

5. Various accessories for upgrading



Wire Winding Device



Rackless (Integrated) Stage



100× Water objective



Simple polarizing unit
Polarizer & analyzer



Dark filed unit available
for 4×- 60× objective

Application

BS-2038 series microscopes are ideal instrument in biological, histological, pathological, bacteriology, immunizations and pharmacy field and can be widely used in medical and sanitary establishments, laboratories, institutes, academic laboratories, colleges and universities.

Specification

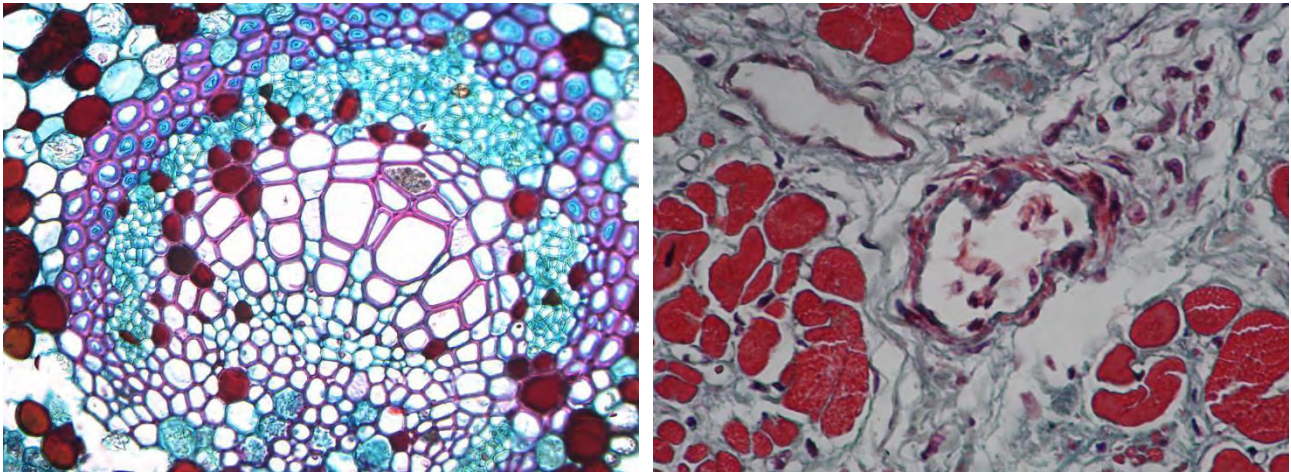
Item	Specification	BS-2038B1	BS-2038B2	
Optical System	Color Corrected Infinite Optical System	●	●	
Viewing Head	Inclined 30° binocular tube, 360° rotatable, interpupillary distance: 48-75mm	●	●	
	Inclined 30° trinocular tube, 360° rotatable, interpupillary distance: 48-75mm, splitting ratio: eyepiece: trinocular=20:80	○	○	
Eyepiece	High eyepoint wide field eyepiece WF10X/20mm	●	●	
	High eyepoint wide field eyepiece WF10X/20mm, with reticule 0.1mm	○	○	
	High eyepoint wide field eyepiece WF10X/20mm, focusing adjustable, with reticule 0.1mm	○	○	
	Wide field eyepiece WF10X/18mm	○	○	
Infinite Objective	Infinity E-Plan Objectives	4X/ NA 0.10	●	○
		10X/ NA 0.25	●	○
		40X/ NA 0.65 (S)	●	○
		(Oil) 100X/NA 1.25 (S)	●	○
	Infinity Plan Objectives	4X/ NA 0.10	○	●
		10X/ NA 0.25	○	●
		20X/ NA 0.40 (S)	○	○
		40X/ NA 0.66 (S)	○	●
		60X/ NA 0.80 (S)	○	○
		(Oil) 100X/ NA 1.25 (S)	○	●
		(Water) 100X/ NA 1.15 (S)	○	○
	Nosepiece	Backward Quadruple Nosepiece	●	●
Mechanical Stage	Size 145mm×140mm, travel range:76mm*52mm, scale: 0.1mm, two slide holders	●	●	
	Rackless (integrated) stage, size 140mm*135mm, travel range: 75mm*35mm, scale: 0.1mm, two slide holders	○	○	
Condenser	Abbe condenser NA 1.25 with iris diaphragm	●	●	
Focusing	Coaxial coarse and fine focusing knob, coarse focusing travel range: 25mm, fine division: 2μm	●	●	
Illumination	3W LED lamp, voltage: 100V-240V	●	●	
Dark Field Unit	Dark Field Ring (Dry, N.A.0.9), used for 4X-40X objectives	○	○	
Polarizing Unit	Analyzer & Polarizer	○	○	
Filter	Blue filter (Φ32)	○	○	
	Green filter (Φ32)	○	○	
	Yellow filter (Φ32)	○	○	
C-mount	0.35X C-mount adapter, adjustable focus	○	○	
	0.5X C-mount adapter, adjustable focus	○	○	

	0.75X C-mount adapter, adjustable focus	○	○
	1X C-mount adapter, adjustable focus	○	○
	Trinocular digital eyepiece interface	○	○
Wire Winding Device	Wind cable on back of the microscope	●	●

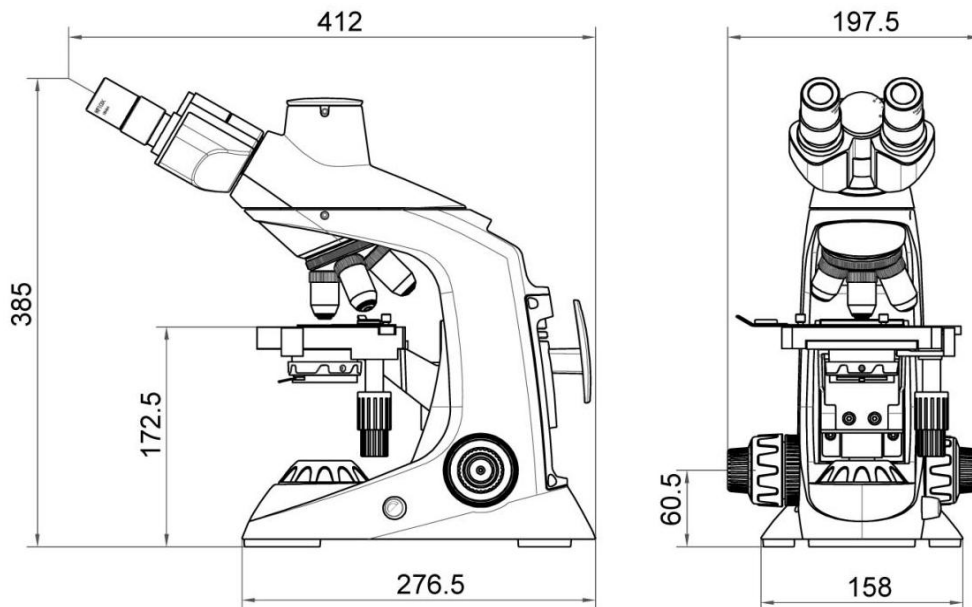
Note: ●Standard Outfit, ○Optional

Packing Size: 350mm*270mm*470mm, Gross Weight: 6.7 kgs, Net Weight: 5.3 kgs

Sample Image



Dimension



Unit: mm