

BS-202X Series Biological Microscope

1. BS-2020 Biological microscope	2
2. BS-2020MD/BD Digital Microscope	4
3. BS-2021 Biological Microscope	6
4. BS-2026 Biological Microscope	10
5. BS-2027 Biological Microscope	13
6. BS-2028 Biological Microscope	16

1. BS-2020 Series Biological microscope



BS-2020M



BS-2020B



BS-2020T

Introduction

BS-2020 series microscopes are economic, practical and easy to operate. These microscopes adopt LED illumination, which saves energy, has long working life and also comfortable for observation. These microscopes are widely used in educational, academic, agricultural and study field. With a microscope adapter, a digital camera (or digital eyepiece) can be plug into the trinocular tube or the eyepiece tube. Built-in rechargeable battery is optional for outdoors operation or places that power supply is not stable.

Feature

1. Comfortable operation with updated and ergonomic design;
2. LED light illumination, save energy and long working life;
3. Compact and flexible, ideally suited for desktop, laboratory worktable.

Application

BS-2020 series microscopes are ideally suited for school biological education and medical analyses area to observe all kinds of slides. They can be widely used in clinics, hospitals, schools, academic labs and scientific research department.

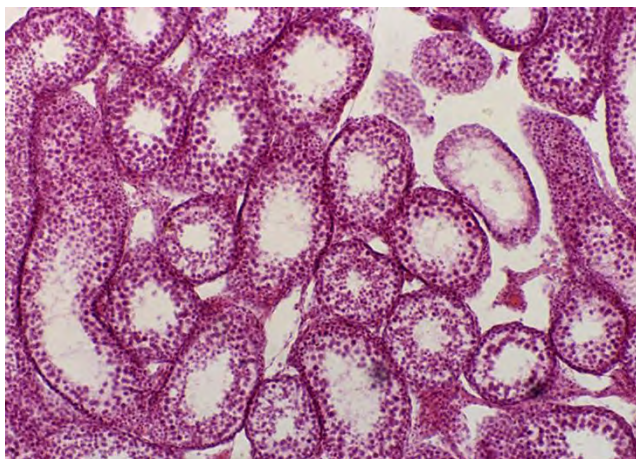
Specification

Item	Specification	BS-2020M	BS-2020B	BS-2020T
Viewing Head	Monocular Head, Inclined at 30°, 360° Rotatable	•		
	Seidentopf Binocular Head, Inclined at 30°, 360° Rotatable, Interpupillary Distance 48-75mm		•	
	Seidentopf Trinocular Head, Inclined at 30°, 360° Rotatable, Interpupillary Distance 55-75mm			•
Eyepiece	WF10×/18mm	•	•	•
	WF16×/11mm	○	○	○

	WF25×/8mm	○	○	○
Objective	Achromatic Objective 4×, 10×, 40×, 100×(Oil)	●	●	●
	Achromatic Objective 20×, 60×	○	○	○
Nosepiece	Backward Quadruple Nosepiece	●	●	●
Stage	Double Layer Mechanical Stage 132×142mm/ 75×40mm	●	●	●
Focusing	Coaxial Coarse & Fine Adjustment, Fine Division 0.004mm, Coarse Stroke 37.7mm per Rotation, Fine Stroke 0.4mm per Rotation, Moving Range 24mm	●	●	●
Condenser	Abbe NA 1.20 with Iris Diaphragm and Filter	●	●	●
Illumination	1W S-LED illumination, Brightness Adjustable	●	●	●
	Halogen Lamp 6V/ 20W, Brightness Adjustable	○	○	○
Immersion oil	5ml Immersion oil	●	●	●
Optional Accessories	Phase Contrast Kit	○	○	○
	Dark Field Attachment	○	○	○
	Polarization Attachment	○	○	○
	Rechargeable battery	○	○	○
	0.5×, 1× C-mount adapter (connect camera to the trinocular head)			○
	0.37×, 0.5×, 0.75×, 1× reduction lens	○	○	○
Package	1pc/carton, 39.5cm*26.5cm*50cm, 7kg	●	●	●

Note: ● Standard Outfit, ○ Optional

Sample Images



2. BS-2020 Series Digital Microscope



BS-2020MD



BS-2020BD

Introduction

With 1.3MP colorful digital camera, competitive price and easy to operate features, the BS-2020MD/BD monocular/binocular digital microscopes are widely used in educational, academic, agricultural and study field. They are connected to a computer via a USB cable. The software is powerful and easy to operate, it can preview, take photos, videos and do measurement.

Feature

1. Built-in 1.3 Mega Pixel CMOS camera, vivid images and real color reproduction.
2. High definition images and videos, high frame rate.
3. Professional image analyze software supports Windows Vista / Win 7/8/10 32&64bit Operation System.
4. Support Multi-language (Arabic, Chinese, English, French, German, Japanese, Polish and etc.).
5. Compact and flexible, ideally suited for desktop, laboratory worktable.

Application

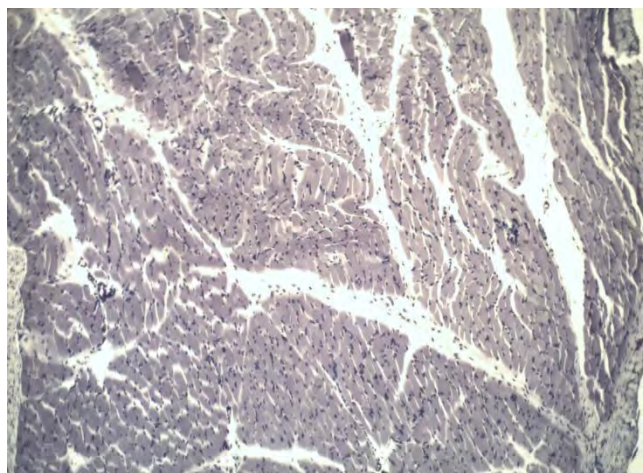
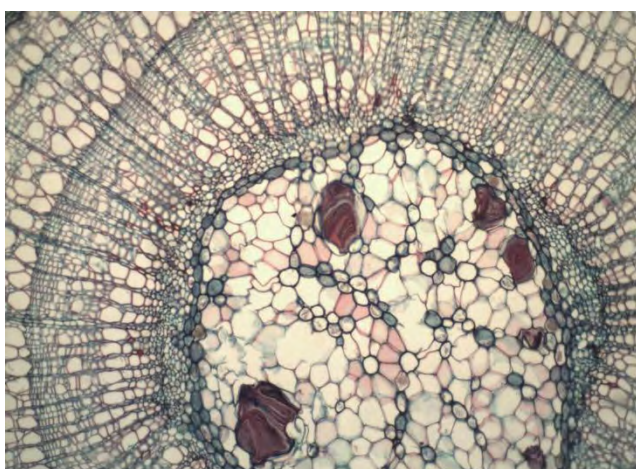
These microscopes are ideally suited for school biological education and medical analyses area. They can be widely used in clinics, hospitals, schools, academic labs and scientific research department.

Specification

Item	Specification	BS-2020MD	BS-2020BD	
Viewing Head	Monocular Head with digital camera, Inclined at 30°, 360° Rotatable	●		
	Seidentopf Binocular Head with digital camera, Inclined at 30°, 360° Rotatable, Interpupillary Distance 48-75mm		●	
	Camera System	Resolution	1280×1024 (1.3Mega Pixel)	●
		Output Mode	USB2.0	●
		Operation System	Window 2000/ XP/ Vista/ Win 7	●
		Software	ScopelImage 9.0	●
Range of Viewing Field		90%	●	
Eyepiece	WF10×/18mm	●	●	
	WF16×/11mm, WF25×/8mm	○	○	
Nosepiece	Backward Quadruple Nosepiece	●	●	
Objective	Achromatic Objective 4×, 10×, 40×, 100×	●	●	
	Achromatic Objective 20×, 60×	○	○	
Stage	Double Layers Mechanical Stage 132×142mm/ 75×40mm	●	●	
Condenser	Abbe NA1.20 with Iris Diaphragm & Fliter	●	●	
Focusing	Coaxial Coarse & Fine Adjustment, Fine Division 0.004mm, Coarse Stroke 32.7mm per Rotation, Fine Stroke 0.4mm per Rotation, Moving Range 24mm	●	●	
Illumination	1W S-LED illumination, Brightness Adjustable	●	●	
	Halogen Lamp 6V/ 20W, Brightness Adjustable	○	○	
Optional accessories	Phase Contrast Kit	○	○	
	Dark-Field Attachment	○	○	
	Polarization Attachment	○	○	
	Rechargeable battery	○	○	
Package	1pcs/carton, 39.5cm*26.5cm*50cm, 8kg	●	●	

Note: ● Standard Outfit, ○ Optional

Sample Image



3. BS-2021 Series Biological Microscope



BS-2021B



BS-2021T

Introduction

BS-2021 series microscopes are economic, practical and easy to operate. These microscopes adopt infinite optical system and LED illumination, which has long working life and also comfortable for observation. These microscopes are widely used in educational, academic, veterinary, agricultural and study field. With an eyepiece adapter (reduction lens), a digital camera (or digital eyepiece) can be plug into the trinocular tube or the eyepiece tube. Built-in rechargeable battery is optional for outdoors operation or places that power supply is not stable.

Feature

1. Infinite Optical System.
2. Comfortable operation with updated and ergonomic design.
3. LED light illumination, save energy and long working life.
4. Compact and flexible, ideally suited for desktop, laboratory worktable.

Application

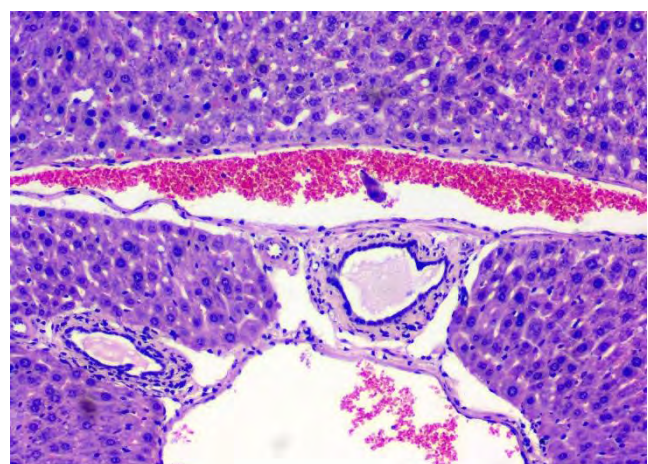
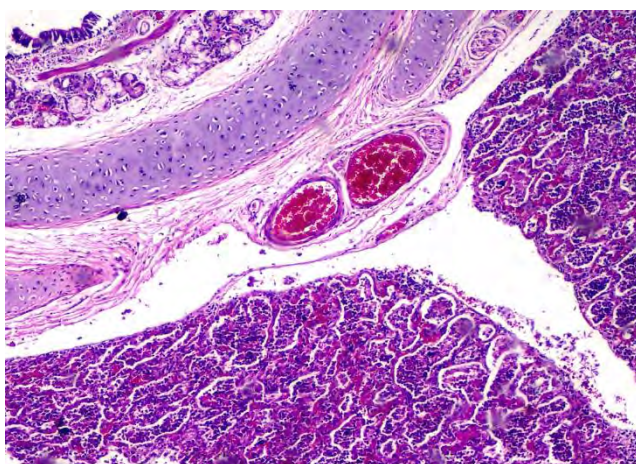
BS-2021 series microscopes are ideally suited for school biological education, veterinary and medical analyses area to observe all kinds of slides. They can be widely used in clinics, hospitals, schools, academic labs and scientific research department.

Specification

Item	Specification	BS-2021B	BS-2021T
Optical System	Infinite Optical System	●	●
Viewing Head	Seidentopf Binocular Head, Inclined at 30°, 360° Rotatable, Interpupillary Distance 48-75mm	●	
	Seidentopf Trinocular Head, Inclined at 30°, 360° Rotatable, Interpupillary Distance 48-75mm		●
Eyepiece	WF10×/18mm	●	●
	P16×/11mm	○	○
	WF20×/9.5mm	○	○
	WF25×/6.5mm	○	○
Objective	Infinite Semi-Plan Achromatic Objectives 4×, 10×, 40×, 100×	●	●
	Infinite Plan Achromatic Objectives 2×, 4×, 10×, 20×, 40×, 60×, 100×	○	○
Nosepiece	Backward Quadruple Nosepiece	●	●
Stage	Double Layer Mechanical Stage 132×142mm/ 75×40mm	●	●
Focusing	Coaxial Coarse & Fine Adjustment, Fine Division 0.004mm, Coarse Stroke 37.7mm per Rotation, Fine Stroke 0.4mm per Rotation, Moving Range 24mm	●	●
Condenser	NA1.25 Abbe condenser with iris diaphragm and filter holder	●	●
Illumination	LED illumination, Brightness Adjustable	●	●
	Halogen Lamp 6V/ 20W, Brightness Adjustable	○	○
Immersion oil	5ml Immersion oil	●	●
Optional Accessories	Phase Contrast Kit	○	○
	Dark Field Attachment (Dry/Oil)	○	○
	Polarization Attachment	○	○
	Rechargeable battery	○	○
	0.5×, 1× C-mount adapter (connect camera to the trinocular head)		○
	0.37×, 0.5×, 0.75×, 1× reduction lens	○	○
Packing	1pc/carton, 39.5cm*26.5cm*50cm, gross weight: 7kg	●	●

Note: ● Standard Outfit, ○ Optional

Sample Images



4. BS-2026 Series Biological Microscope



BS-2026M



BS-2026B

Introduction

BS-2026 series biological microscopes are economic and easy to operate with clear image. These microscopes adopt LED illumination and ergonomics design, comfortable for observation. These microscopes are widely used in educational, academic, agricultural and study field. Rechargeable battery compartment is standard for outdoors operation or places that power supply is not stable.

Feature

1. Comfortable operation with ergonomic design.
2. Rechargeable LED illumination system. The built-in rechargeable module in the base can be charged when the microscope is working. With long battery life, the microscopes can work when there is no power supply. Charging indicator on the right side of the base is clear to know the power supply working status.



Built-in rechargeable module



Charging indicator

3. Cord rest on back of the microscope. The power supply plug can be wrapped at the back of the microscope, it is helpful to clean the working environment and effective to avoid the accident when moving the microscope. Adopted USB power cable, it can be powered by computer(laptop) or portable power source, more convenient and flexible.



4. Compact and flexible, ideally suited for desktop, laboratory worktable.

Application

BS-2026 series microscopes are ideally suited for school biological education and medical analyses area to observe all kinds of slides. They can be widely used in schools, clinics, hospitals, academic labs and scientific research department.

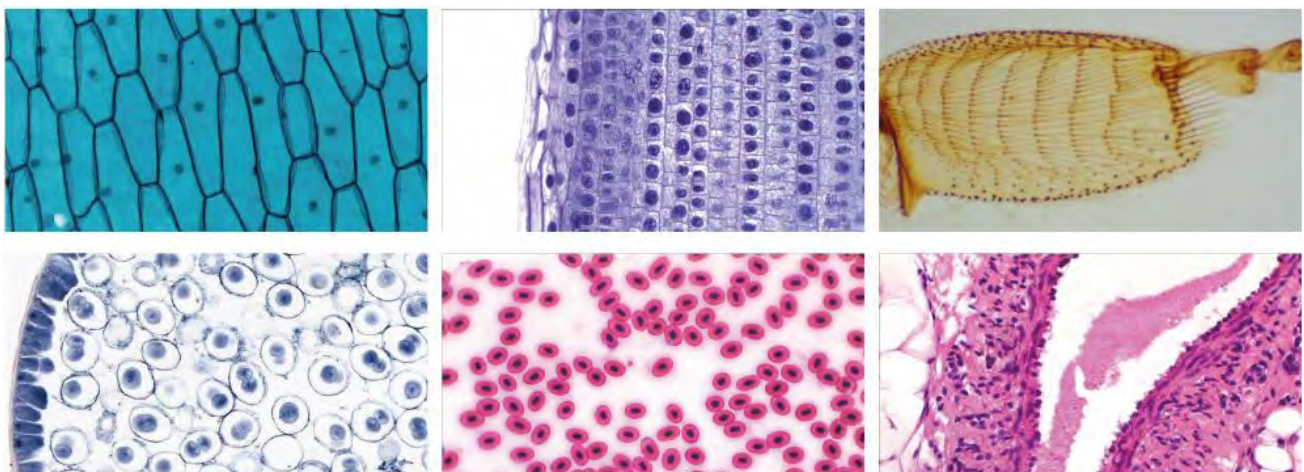
Specification

Item	Specification	BS-2026M	BS-2026B	BS-2026T	
Optical System	Finite Optical System	●	●	●	
Viewing Head	Monocular Head, Inclined at 30°, 360° Rotatable, with locking mechanism for eyepieces	●			
	Seidentopf Binocular Head, Inclined at 30°, 360° Rotatable, with locking mechanism for eyepieces, right diopter adjustment: ±5, Interpupillary Distance 50-75mm		●		
	Seidentopf Trinocular Head, Inclined at 30°, 360° Rotatable, with locking mechanism for eyepieces, right diopter adjustment: ±5, Interpupillary Distance 50-75mm, Light Distribution Eyepiece: Trinocular=50:50			●	
Eyepiece	PL10×/18mm	●	●	●	
	PL10×/18mm with pointer	○	○	○	
	PL10×/18mm with eyepiece micrometer	○	○	○	
Objective	Achromatic Objective	4×/0.10, WD=21.50mm	●	●	●
		10×/0.25, WD=6.26mm	●	●	●
		40×(S)/0.65, WD=0.48mm	●	●	●
		100×(S, Oil)/1.25, WD=0.15mm	○	●	●
	Plan Achromatic Objective	4×/0.10, WD=15.09mm	○	○	○
		10×/0.25, WD=8.57mm	○	○	○
		20×(S)/0.40, WD=8.72mm	○	○	○
		40×(S)/0.65, WD=0.38mm	○	○	○
	100×(S, Oil)/1.25, WD=0.09mm	○	○	○	
Nosepiece	Backward Quadruple Nosepiece	●	●	●	
Stage	Single Layer Stage with two clips, Stage size 110×120mm	●	○	○	
	Double Layers Mechanical Stage 115×125mm/ 70×30mm	○	●	●	

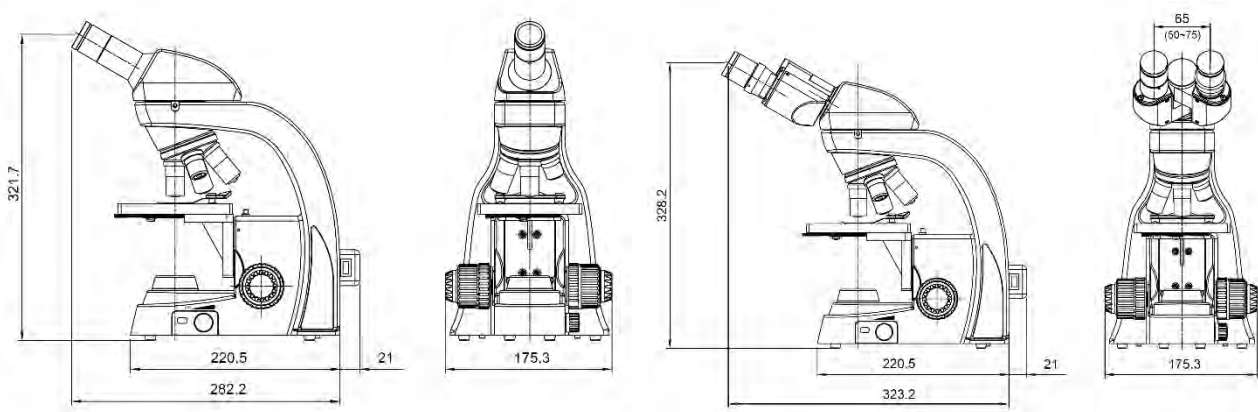
Focusing	Low-position coarse and fine adjustment with stop and tighten structure, moving range: 13mm (combine with single layer stage), 7mm (combine with double layers mechanical stage); fine precision 0.002mm	●	●	●
Condenser	NA 0.65 simple condenser with five-hole rotatable diaphragm	●	○	○
	NA 1.25 Abbe condenser with iris diaphragm and filter holder	○	●	●
Illumination	0.2W LED illumination (color temperature 5700-6500K), intensity adjustable; external power adapter (input 100V-240V, output 5V/1A), with rechargeable battery compartment (for 3pcs Ni-MH AA battery, battery not included)	●	●	●
	0.2W LED illumination (color temperature 5700-6500K), intensity adjustable; external power adapter (input 100V-240V, output 12V/3.3A), microscope body output of 12V/3.3A for built-in camera, with rechargeable battery compartment (for 3pcs Ni-MH AA battery, battery not included)	○	○	○
C-mount Adapter	0.35× C-mount (Adjustable)			○
	0.5× C-mount (Adjustable)			○
	0.65× C-mount (Adjustable)			○
	1× C-mount (Adjustable)			○
Packaging	1pc/carton, 44cm*47cm*24cm, GW:6kgs, NW: 5kgs	●	●	●

Note: ● Standard Outfit, ○ Optional

Sample Images



Dimension



Unit: mm

5. BS-2027 Series Biological Microscope



BS-2027M



BS-2027B



BS-2027T

Introduction

BS-2027 series biological microscopes come with elaborate appearance and reliable quality, beautiful and practical. These microscopes adopt LED illumination and ergonomics design, comfortable for observation.

The frame is lightweight but stable, easy to carry. BS-2027 series microscopes are compact and solid, innovative frame High rigid but small, specially designed for students. The easy operation and clear image inspire students' imagination and interesting of microscopy world, which is helpful to explore the mystery of life science. New generation of scientists are born from here!

These microscopes are widely used in educational, academic, agricultural and study field. Rechargeable battery compartment is optional for outdoors operation or places that power supply is not stable.

Feature

1. Comfortable operation with ergonomic design, easy to handle by students.
2. Rechargeable LED illumination system is optional, the microscopes can work when there is no power supply.
3. External power supply, safe and easy to maintain.
4. Compact and flexible, ideally suited for desktop, laboratory worktable.

Application

BS-2027 series microscopes are ideally suited for school biological education and medical analyses area to observe all kinds of slides. They can be widely used in schools, clinics, hospitals, academic labs and scientific research department.

Specification

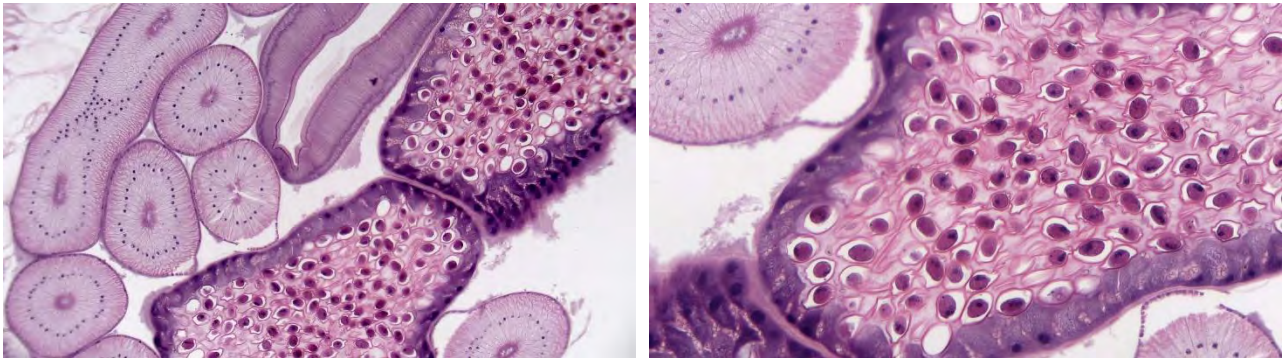
Item	Specification	BS-2027M	BS-2027B	BS-2027T
Optical System	Finite Optical System	•	•	•

Viewing Head	Monocular Head, Inclined at 30°, 360° Rotatable, with locking mechanism for eyepieces		•		
	Seidentopf Binocular Head, Inclined at 30°, 360° Rotatable, with locking mechanism for eyepieces, ±5 diopter adjustment on left tube, Interpupillary Distance 50-75mm			•	
	Seidentopf Trinocular Head, Inclined at 30°, 360° Rotatable, with locking mechanism for eyepieces, ±5 diopter adjustment on left tube, Interpupillary Distance 50-75mm, Light Distribution Eyepiece: Trinocular=80:20				•
Eyepiece	Wide field plan eyepiece PL10×/18mm		•	•	•
	Wide field plan eyepiece PL10×/18mm with pointer		○	○	○
	Wide field plan eyepiece PL10×/18mm with eyepiece micrometer		○	○	○
Objective	Achromatic Objective	4×/0.10, WD=21.50mm	•	•	•
		10×/0.25, WD=6.26mm	•	•	•
		40×(S)/0.65, WD=0.48mm	•	•	•
		100×(S,Oil)/1.25, WD=0.15mm	•	•	•
	Plan Objective	4×/0.10, WD=15.09mm	○	○	○
		10×/0.25, WD=8.57mm	○	○	○
	Achromatic Objective	20×/0.40, WD=8.72mm	○	○	○
		40×(S)/0.65, WD=0.38mm	○	○	○
		100×(S,Oil)/1.25, WD=0.09mm	○	○	○
Nosepiece	Backward Quadruple Nosepiece		•	•	•
Stage	132mm×140mm double layers mechanical stage, moving range: 50mm×76mm, precision: 0.1mm.		•	•	•
Focusing	Low-position coarse and fine adjustment with stop and tighten structure, moving range: 25mm, fine precision 0.002mm		•	•	•
Condenser	NA 1.25 Abbe condenser with iris diaphragm and filter holder		•	•	•
Illumination	3W LED (cold color temperature or warm color temperature is optional, cold color temperature 4750K-5500K, warm color temperature 2850K-3250K), center presetting, intensity adjustable, external wide voltage AC adapter, 100V-240V_AC50/60Hz input, DC6V 2A output.		•	•	•
	3W LED (cold color temperature or warm color temperature is optional, cold color temperature 4750K-5500K, warm color temperature 2850K-3250K), center presetting, intensity adjustable, with rechargeable battery compartment(for 4pcs Ni-MH AA battery, battery not included), external wide voltage AC adapter, 100V-240V_AC50/60Hz input, DC6V 1A output.		○	○	○
C-mount Adapter	0.35× C-mount (Adjustable)				○
	0.5× C-mount (Adjustable)				○
	0.65× C-mount (Adjustable)				○
	1× C-mount (Adjustable)				○
	Trinocular tube 23.2mm for digital eyepiece				○

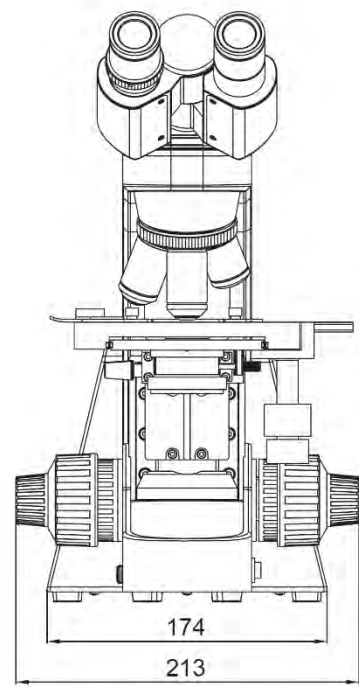
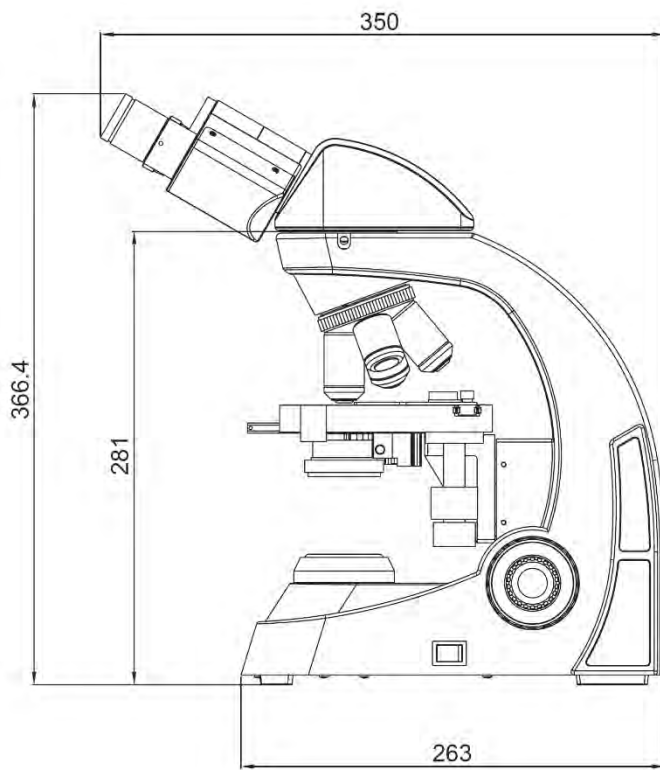
Packaging	1pc/carton, 51cm*30cm*58cm, GW:10kgs, NW: 8kgs	•	•	•
-----------	--	---	---	---

Note: ● Standard Outfit, ○ Optional

Sample Images



Dimension



Unit: mm

6. BS-2028 Series Biological Microscope



BS-2028M



BS-2028B



BS-2028T

Introduction

BS-2028 series microscopes are specially designed for college education, medical and laboratory study, supporting monocular, binocular, trinocular. They adopt beautiful structure and ergonomic design. With an innovative optical and structure design, excellent optical performance and easy to operate system, these biological microscopes make your works enjoyable.

Feature

1. Grace and new modeling



Drop-style integrated appearance design, looks elegant.

2. Viewing head



Brand new and humanized butterfly binocular head-tubes can be 360° rotated to raise observing height 44mm than normal tubes to be more convenient for users with different height.

3. Stability



Unique viewing head and integrative stand to ensure stability.

4. Power supply

5V-12V low voltage input to ensure safe use. Built-in LED illumination system which can be powered with power bank, laptop and vehicle power supply ensures being used anywhere and any condition.



5. Objectives



Unique and innovative low power light-reducing objective (Optional) ensures high power and low power objectives interconverted without light adjustment.

6. Storage bin



Humanized storage bin on the stand back makes moving and items storage more convenient.

7. Observing window



Observing window ensures objective magnification can be watched from back.

Application

BS-2028 series microscopes are ideal instrument in biological, histological, pathological, bacteriology, immunizations and pharmacy field and can be widely used in medical and sanitary establishments, laboratories, institutes, academic laboratories, colleges and universities.

Specification

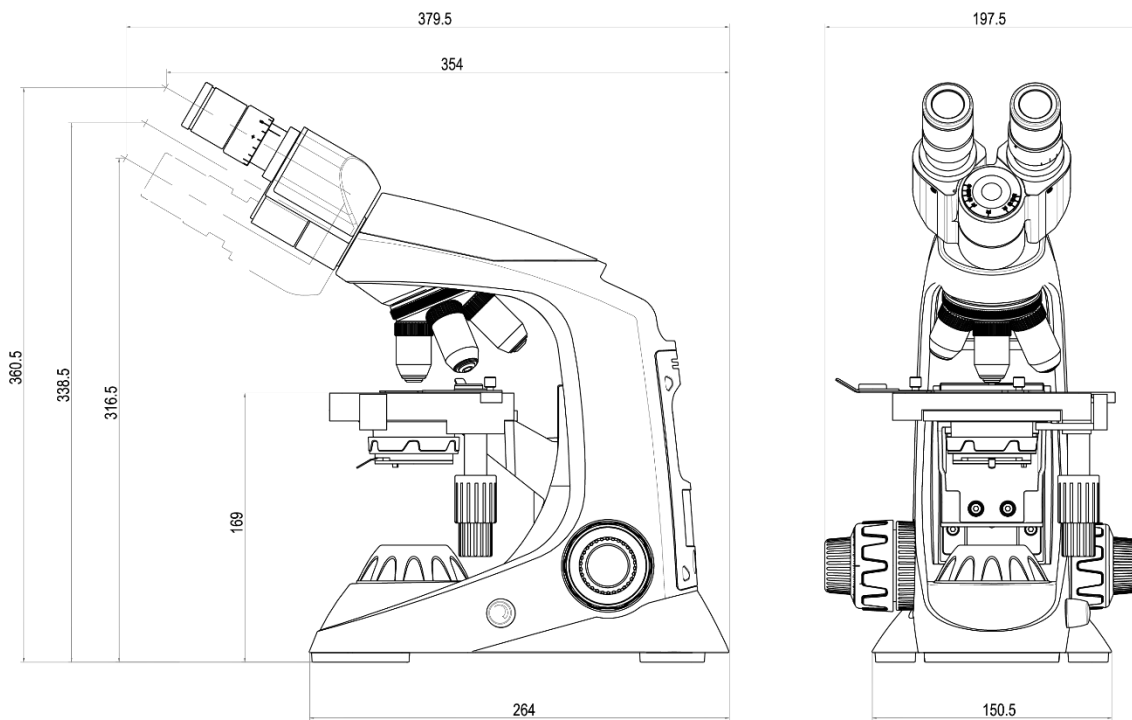
Item	Specification	BS-2028M	BS-2028B	BS-2028T	
Optical System	Color Corrected Finite Optical System	●	●	●	
Viewing Head	Inclined 30° monocular tube	●			
	Inclined 30° binocular tube, 360° rotatable, interpupillary distance: 48-75mm		●		
	Inclined 30° trinocular tube, 360° rotatable, interpupillary distance: 48-75mm, splitting ratio: eyepiece: trinocular=20:80			●	
Eyepiece	Wide field eyepiece WF10X/18mm (pointer is optional)	●	●	●	
	Wide field eyepiece WF16X/13mm	○	○	○	
	Wide field eyepiece WF10X/18mm, with reticule 0.1mm	○	○	○	
	Wide field eyepiece WF10X/18mm, adjustable, with reticule 0.1mm	○	○	○	
Infinite Objective	Achromatic Objectives	4X/ NA 0.10	●	●	●
		10X/ NA 0.25	●	●	●
		20X/ NA 0.40	○	○	○
		40X/ NA 0.65 (S)	●	●	●
		60X/ NA 0.80 (S)	○	○	○
		(Oil) 100X/NA 1.25 (S)	●	●	●
	Plan Achromatic Objectives	4X/ NA 0.10	○	○	○
		10X/ NA 0.25	○	○	○
		40X/ NA 0.65 (S)	○	○	○

		(Oil) 100X/ NA 1.25 (S)	○	○	○
Nosepiece	Backward Quadruple Nosepiece		●	●	●
Mechanical Stage	Stage size: 125mm*115mm. Travel: 35mm*75mm.		●	●	●
Condenser	Abbe condenser NA 1.25 with iris diaphragm		●	●	●
Focusing	Coaxial coarse and fine focusing knob, coarse focusing travel range: 25mm, fine division: 2μm		●	●	●
Illumination	3W LED lamp		●	●	●
Dark Field Unit	Dark Field Ring, used for 4X-40X objectives		○	○	○
C-mount	0.5X C-mount adapter, adjustable focus		○	○	○
	1X C-mount adapter		○	○	○

Note: ●Standard Outfit, ○Optional

Packing Size: 435mm*380mm*275mm, Gross Weight: 5.8 kgs, Net Weight: 4.4 kgs

Dimension



Unit: mm