

**BS-2009 Inverted Biological Microscope**

BS-2009

**Introduction**

BS-2009 Inverted Biological Microscope is perfect for cell tissue observation and cultivation, specially designed for medical and health units, universities, research institutes to observe cultured living cells. With an innovative infinite optical system and ergonomic design, it has excellent optical performance and easy to operate features. This inverted biological microscope makes your work enjoyable. Digital cameras can be added to the trinocular head to take photos, videos and make measurement.

**Feature****1. Excellent infinite optical system**

Infinity optical system, perfect for cell tissue observation and cultivation.

**2. Viewing head**

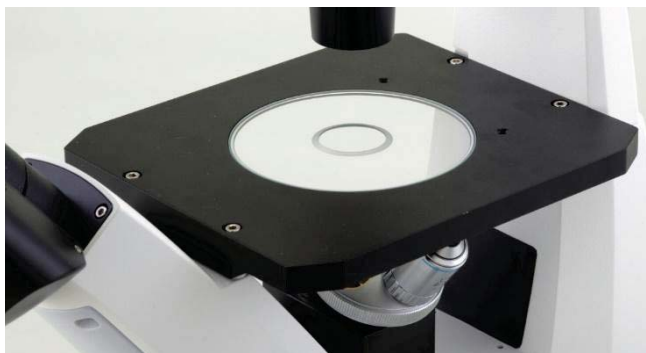
Butterfly binocular head, 360° rotatable, more convenient for users with different height.

### 3. Stage

Two types stage, applicable to samples of different sizes.



180mm\*155mm mechanical stage



180mm\*203mm fixed stage

### 4. Long working distance condenser



Long working distance condenser NA 0.32, WD=48mm

### 5. Camera adapter



Digital camera is located at the back of the microscope, which does not interfere with the user's operation.

### 6. Power supply

5-12V low voltage input, to ensure safe use.

Built-in LED illumination system which can be powered with power bank, laptop and vehicle power, ensures it being used anywhere and any condition



## 7. Objectives



New designed objectives for both bright field and phase contrast observation, not necessary to change objectives.

## Application

BS-2009 Inverted microscope is used by medical and health units, universities, research institutes for observations of micro-organisms, cells, bacteria and tissue cultivation. It can be used for continuous observation of process of cells, bacteria grow and divide in the culture medium. Videos and images can be taken during the process. This microscope is widely used in cytology, parasitology, oncology, immunology, genetic engineering, industrial microbiology, botany and other fields.

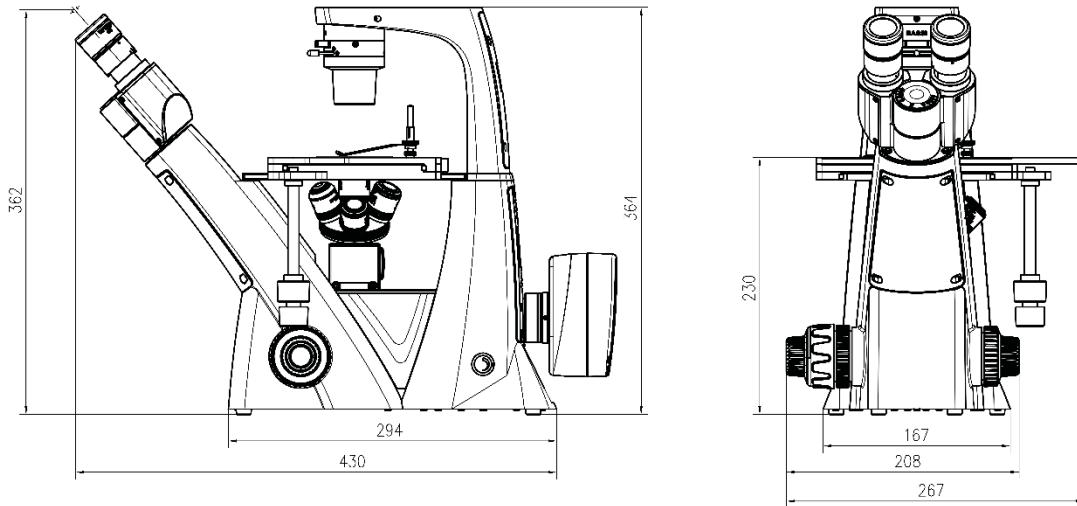
## Specification

Item	Specification	BS-2009	
Optical System	Infinite Optical System	●	
Viewing Head	Inclined 45° trinocular tube, interpupillary distance: 48-75mm, splitting ratio: eyepiece: trinocular=70:30	●	
Eyepiece	High eyepoint wide field eyepiece WF10X/20mm, eyepiece tube diameter Φ23.2mm	●	
Objective	Infinity Long Working Distance Plan Objectives	4X/NA=0.11, WD=12.1mm	○
		10X/NA=0.25, WD=10.3mm	●
		20X/NA=0.45, WD=5.8mm	○
		40X/NA=0.65, WD=5.1mm	●
	Infinity Long Working Distance Plan Phase Contrast Objectives	10X/NA=0.25, WD=10.3mm	○
		20X/NA=0.45, WD=5.8mm	●
40X/NA=0.65, WD=5.1mm		○	
Nosepiece	Quadruple nosepiece	●	
Centering Telescope	Centering telescope (Φ23.2mm)	○	

Phase Annular Plate	10X phase annular plate	○
	20X/40X phase annular plate, for both 20X and 40X	●
Stage	Three-layer mechanical stage. Stage size: 180mm(X)*155mm(Y), moving range: 75mm*40mm. Scale: 0.1mm, round slide size: Φ110mm.	●
	Fixed stage, stage size: 180mm*204mm.	○
	Glass holder, outer diameter Φ110mm, inner diameter Φ30mm	●
	Drop-shaped metal holder, outer diameter Φ110mm, inner diameter Φ25mm	○
Focusing	Coaxial coarse and fine focusing adjustment, coarse stroke: 10mm, fine stroke per rotation: 0.2mm, fine division 2um.	●
Condenser	Long working distance condenser, N.A.0.32. Working distance:48mm	●
Illumination	5W LED lamp, input voltage: 100V-240V	●
Filter	Green filter (Φ21mm)	●
	Blue filter (Φ21mm)	○
	Yellow filter (Φ21mm)	○
	Grey filter (Φ21mm)	○
C-mount	Built-in 0.65X C-mount adapter	●
Packing	Packing size: 515mm*480mm*315mm, gross weight: 9kg, net weight: 7kg	●

Note: ● Standard Outfit, ○ Optional

## Dimension



BS-2009

Unit: mm

## System Diagram

