

## LVDS Probe

Introduction : LVDS probe only supports LA4000 series or BusFinder series in Slot B. It is for digital signals and low-voltage differential signals measurement.

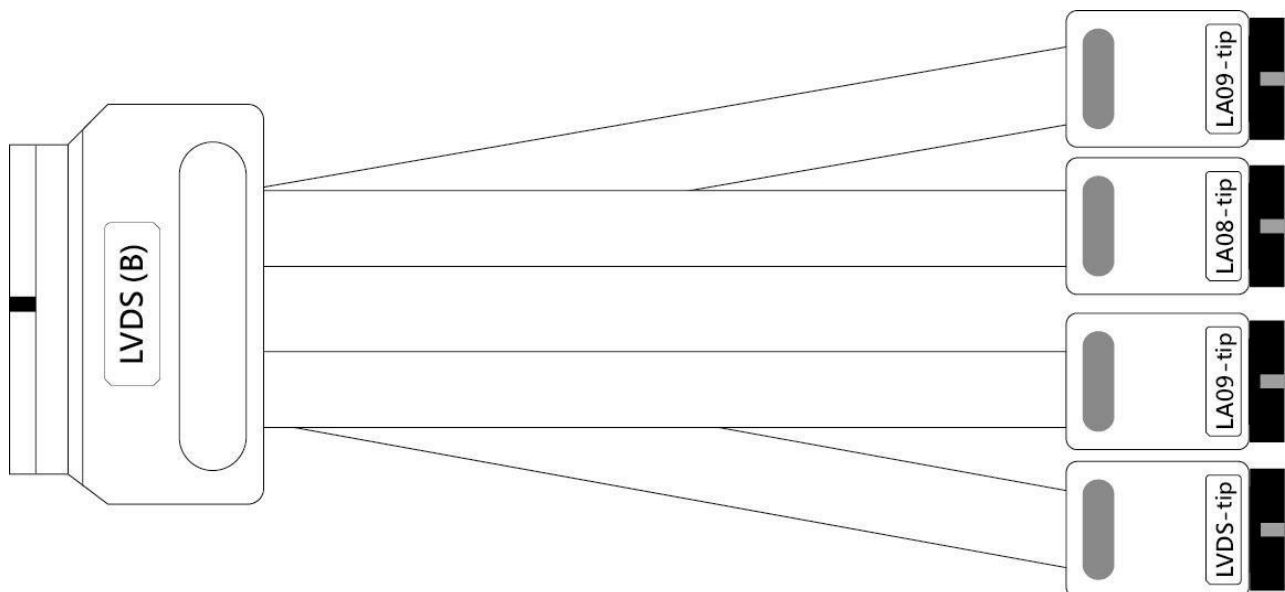
The LVDS Probe includes 2 parts:

- a. LA08/09 tip : There are 2 LA09-tips and 1 LA08-tip for single-ended LA inputs.
- b. LVDS tip : There is 1 LVDS-tip which includes 2 pairs of differential signal inputs.

Specifications :

- Threshold : NA (LVDS P/N reference)
- Input Voltage : Max=0~3.3V
- Sensitivity=100mV
- Impedance : 75kohm || 3pF
- Data rate : 500Mbps (Same as LA-probe)

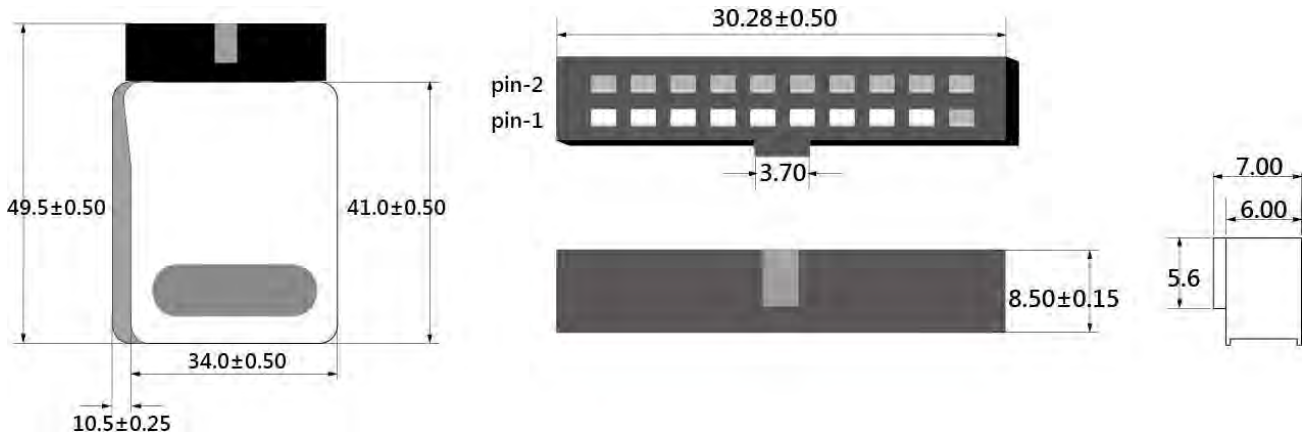
Appearance :



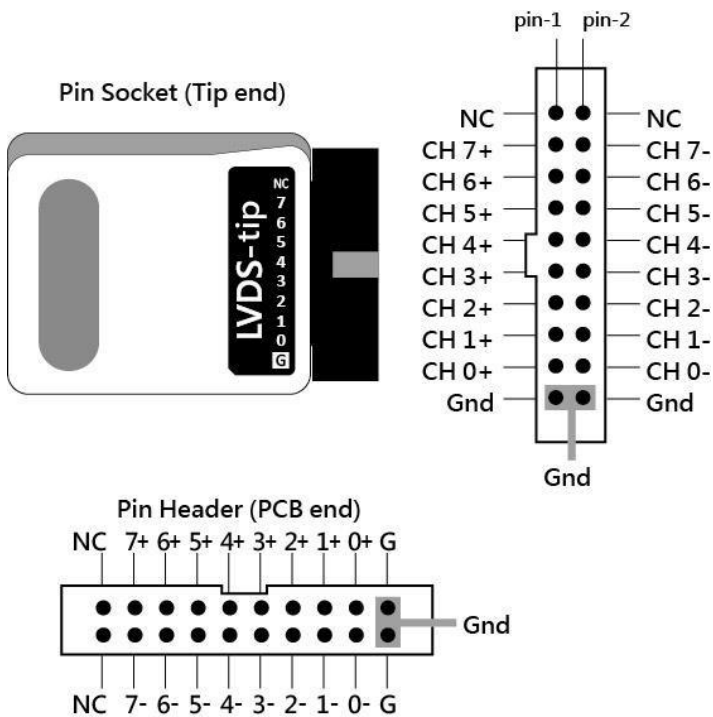
## Pin Define :

### Tip size :

20-pin Logic Analyzers: Probe tip = Pin Socket , Pitch=2.54 , Unit : mm.



## LVDS Tip pins :



## LA Tip pins :

